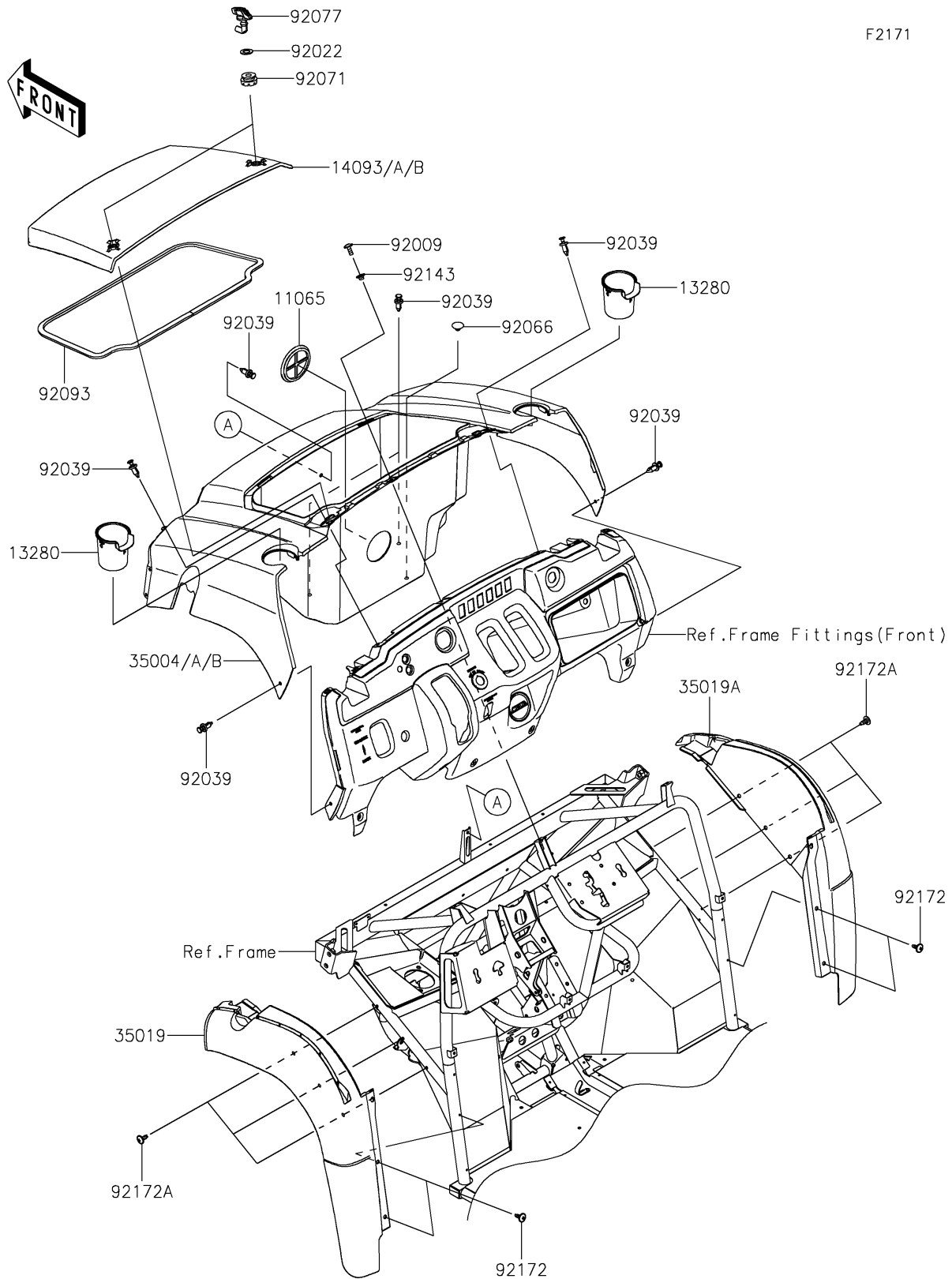


# 2023 MULE SX™ 4x4 XC FI

## PARTS DIAGRAM

### Front Fender(s)



F2171

# 2023 MULE SX™ 4x4 XC FI

## PARTS LIST

Front Fender(s)

**ITEM NAME**

**PART NUMBER**

**QUANTITY**

---