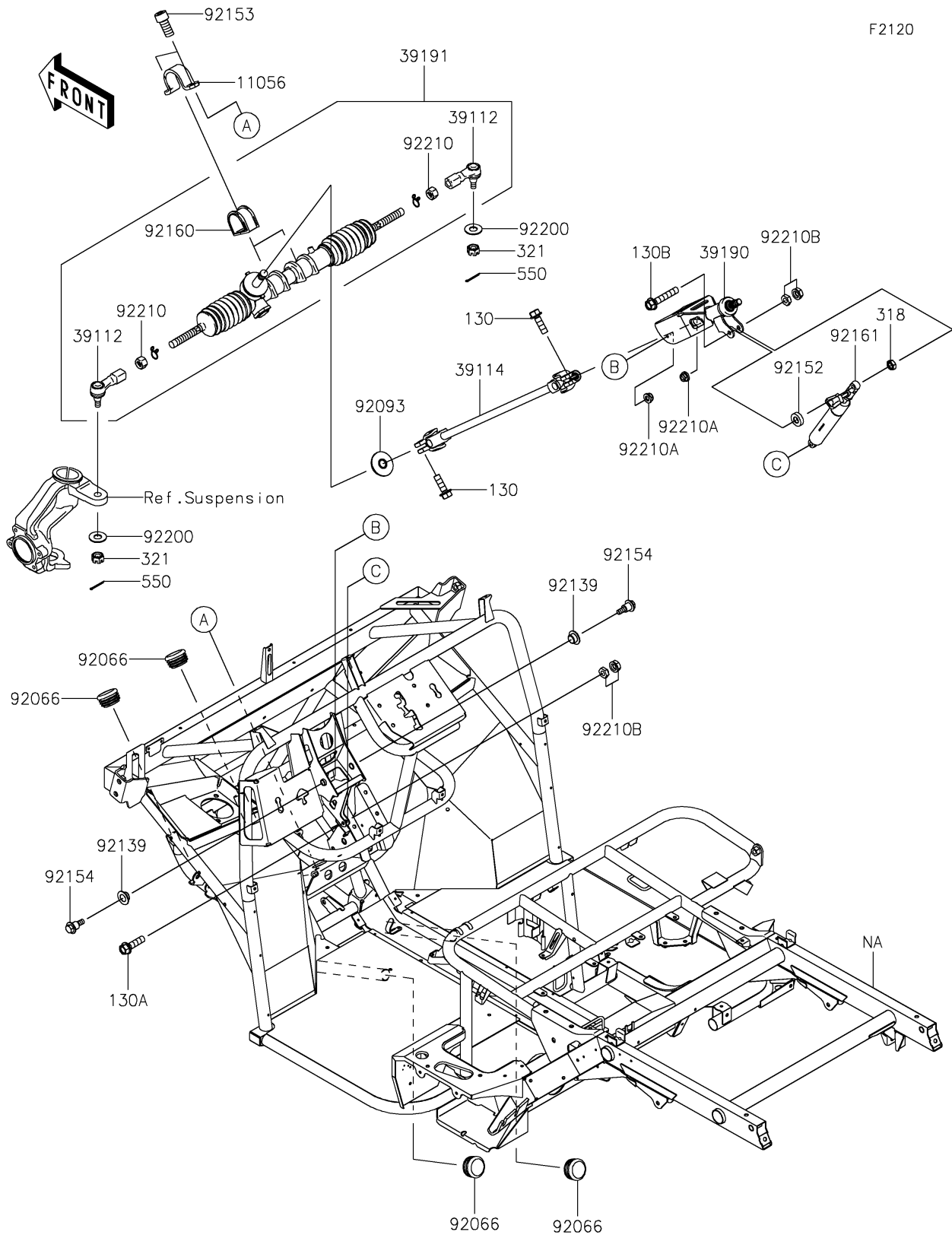


# 2023 MULE SX™ 4x4 XC FI

## PARTS DIAGRAM

### Frame



# 2023 MULE SX™ 4x4 XC FI

## PARTS LIST

Frame

**ITEM NAME**

**PART NUMBER**

**QUANTITY**

---