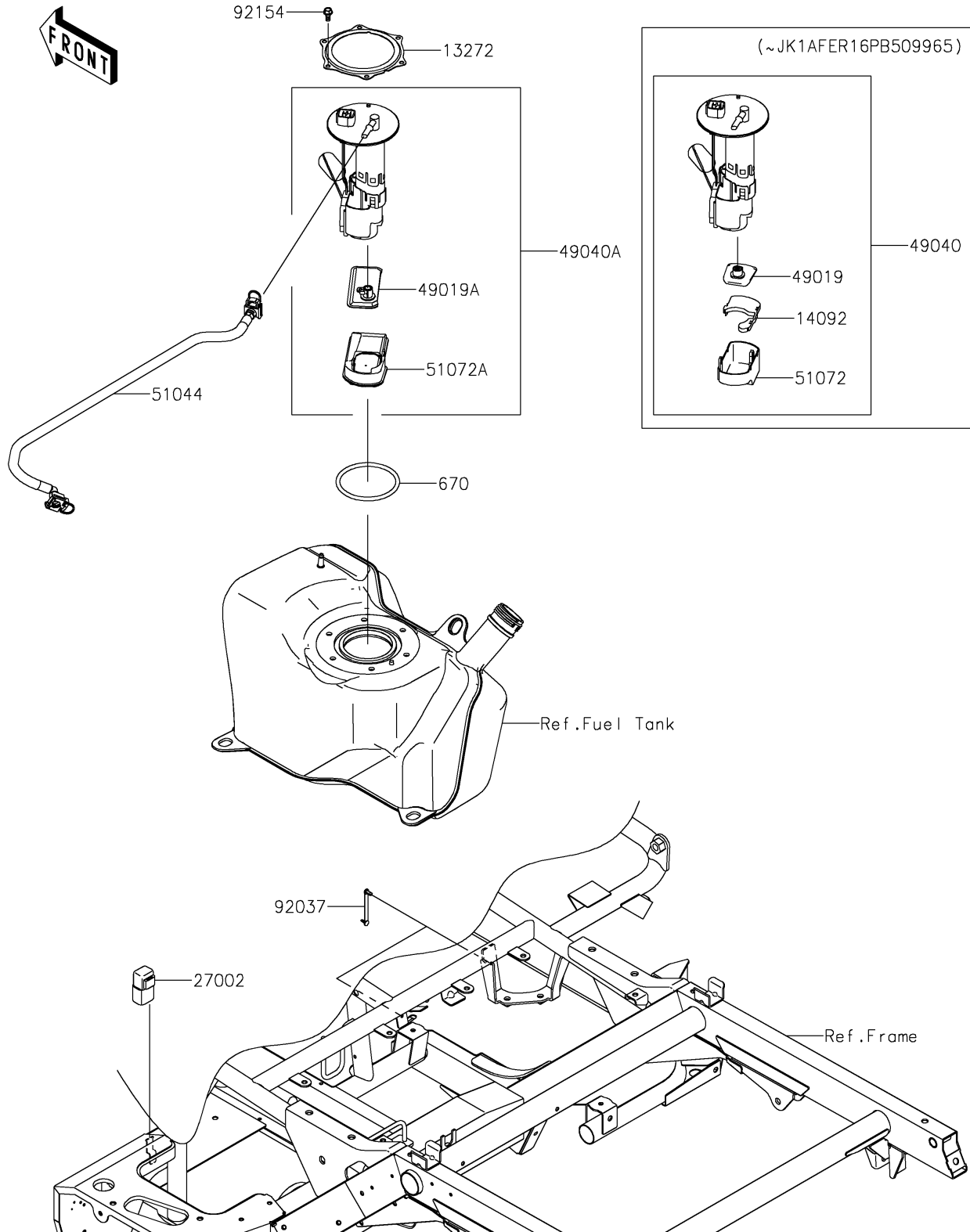


# 2022 MULE SX™ 4x4 XC FI

## PARTS DIAGRAM

### Fuel Pump

E1520



# 2022 MULE SX™ 4x4 XC FI

## PARTS LIST

### Fuel Pump

ITEM NAME	PART NUMBER	QUANTITY
-----------	-------------	----------

---