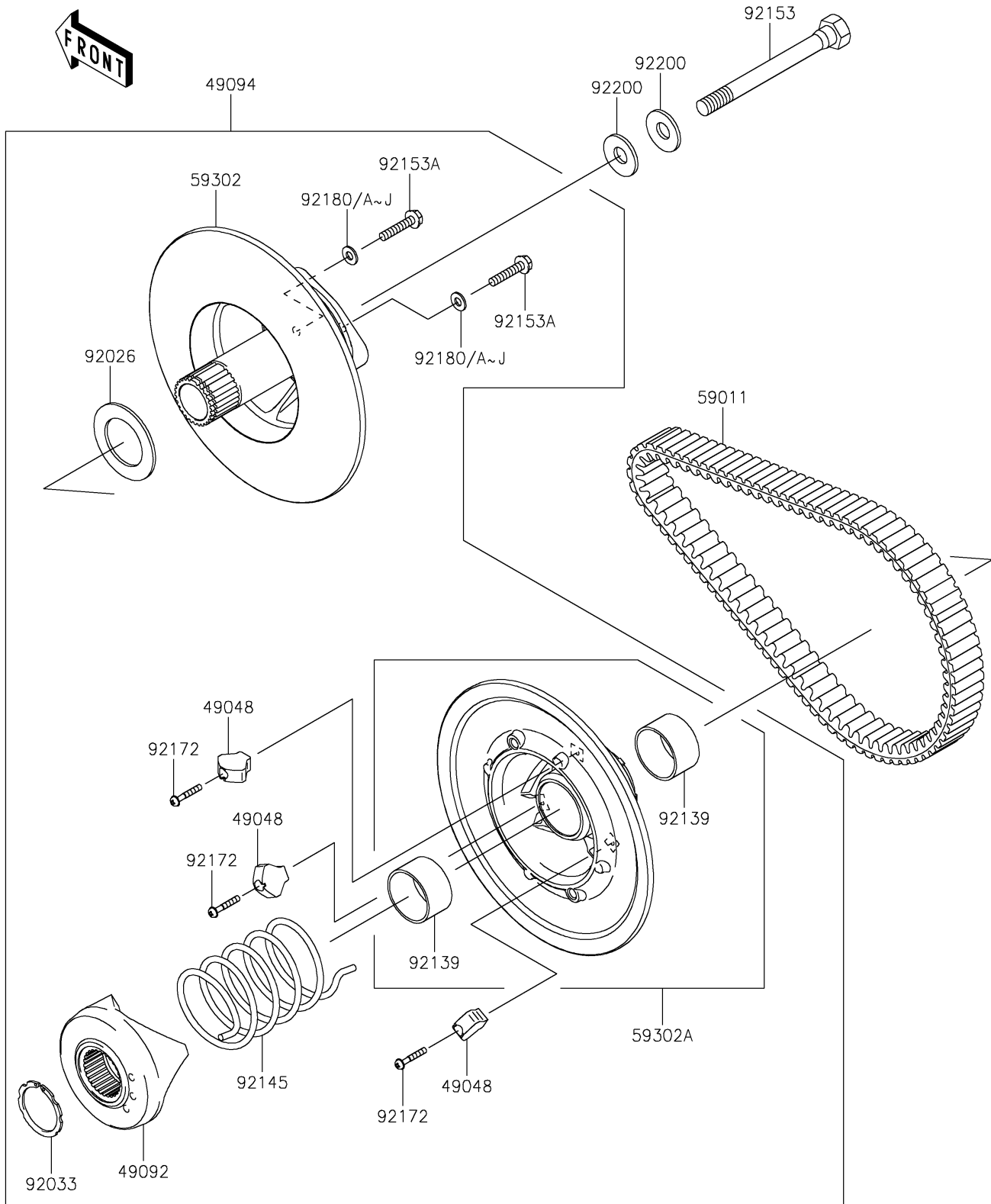


2023 MULE SX™ 4x4 XC FI

PARTS DIAGRAM

Driven Converter/Drive Belt

E1392



2023 MULE SX™ 4x4 XC FI

PARTS LIST

Driven Converter/Drive Belt

ITEM NAME	PART NUMBER	QUANTITY
-----------	-------------	----------
