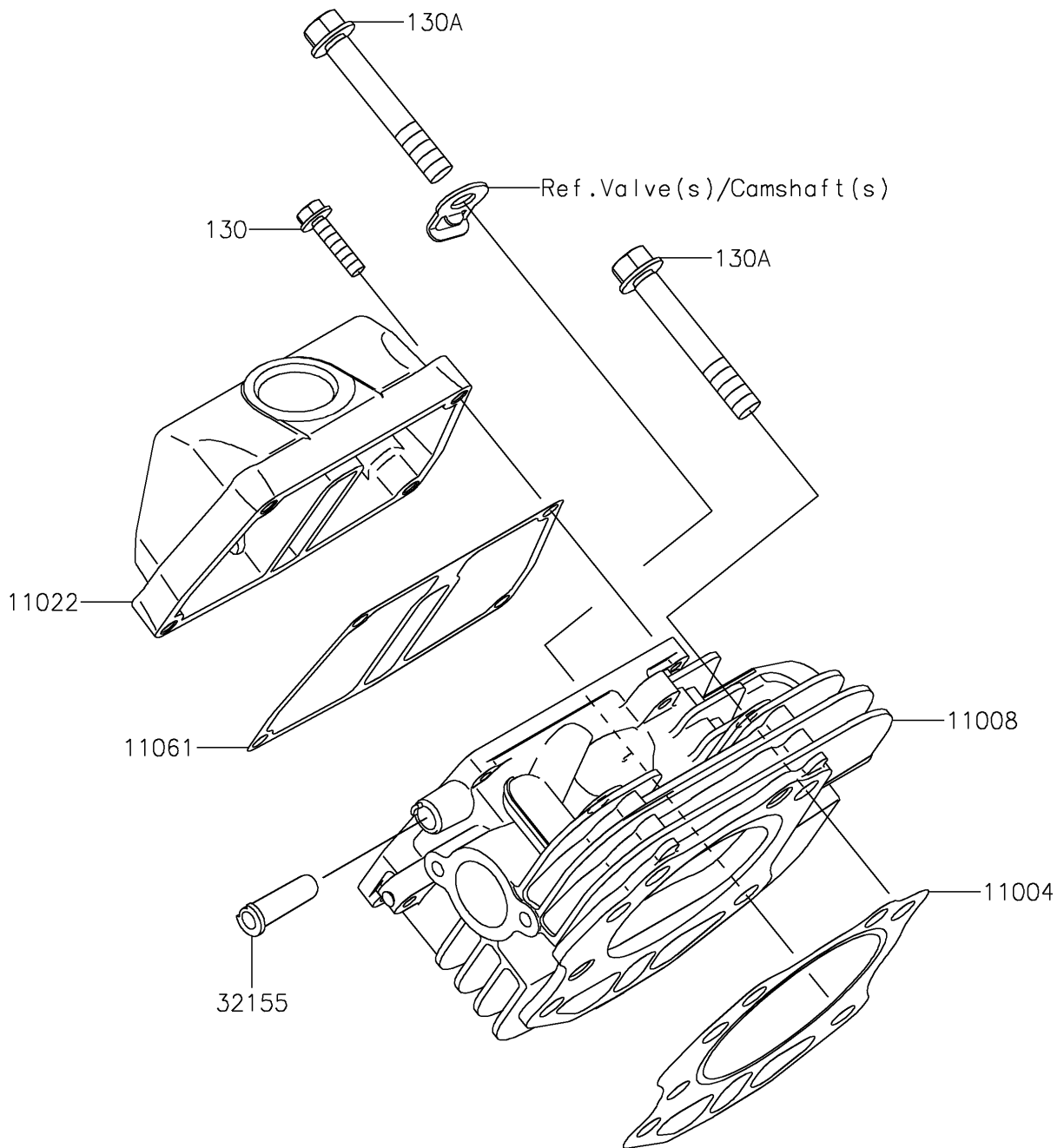


# 2023 MULE SX™ 4x4 XC FI

## PARTS DIAGRAM

### Cylinder Head

E1111



# 2023 MULE SX™ 4x4 XC FI

## PARTS LIST

### Cylinder Head

ITEM NAME	PART NUMBER	QUANTITY
-----------	-------------	----------

---