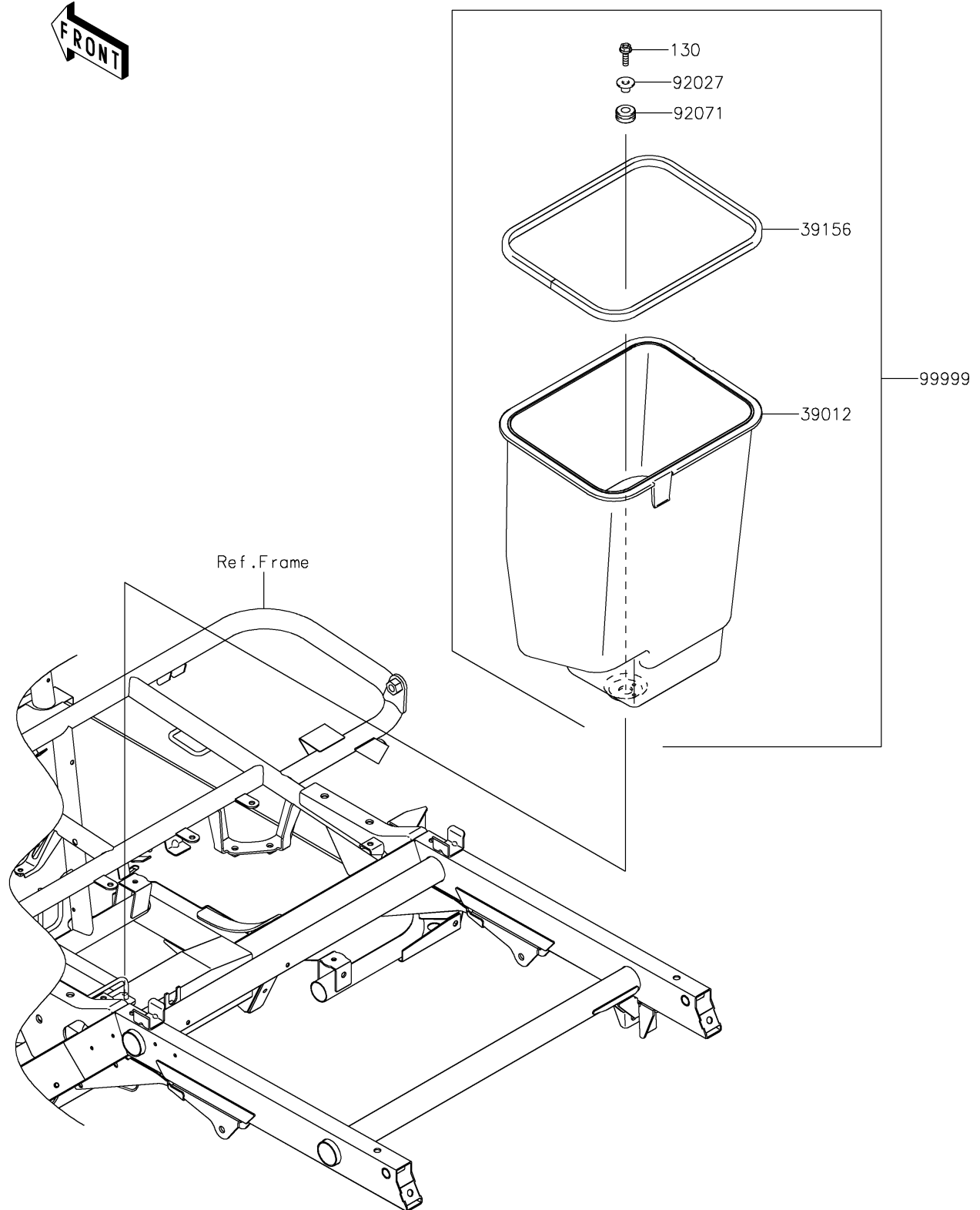


# 2021 MULE SX™ 4x4 FI

## PARTS DIAGRAM

Optional Parts(Frame)(PMFNN/PNFNN)

F2890A



# 2021 MULE SX™ 4x4 FI

## PARTS LIST

Optional Parts(Frame)(PMFNN/PNFNN)

**ITEM NAME**

**PART NUMBER**

**QUANTITY**

---