

# 2022 MULE SX™ 4x4 FI

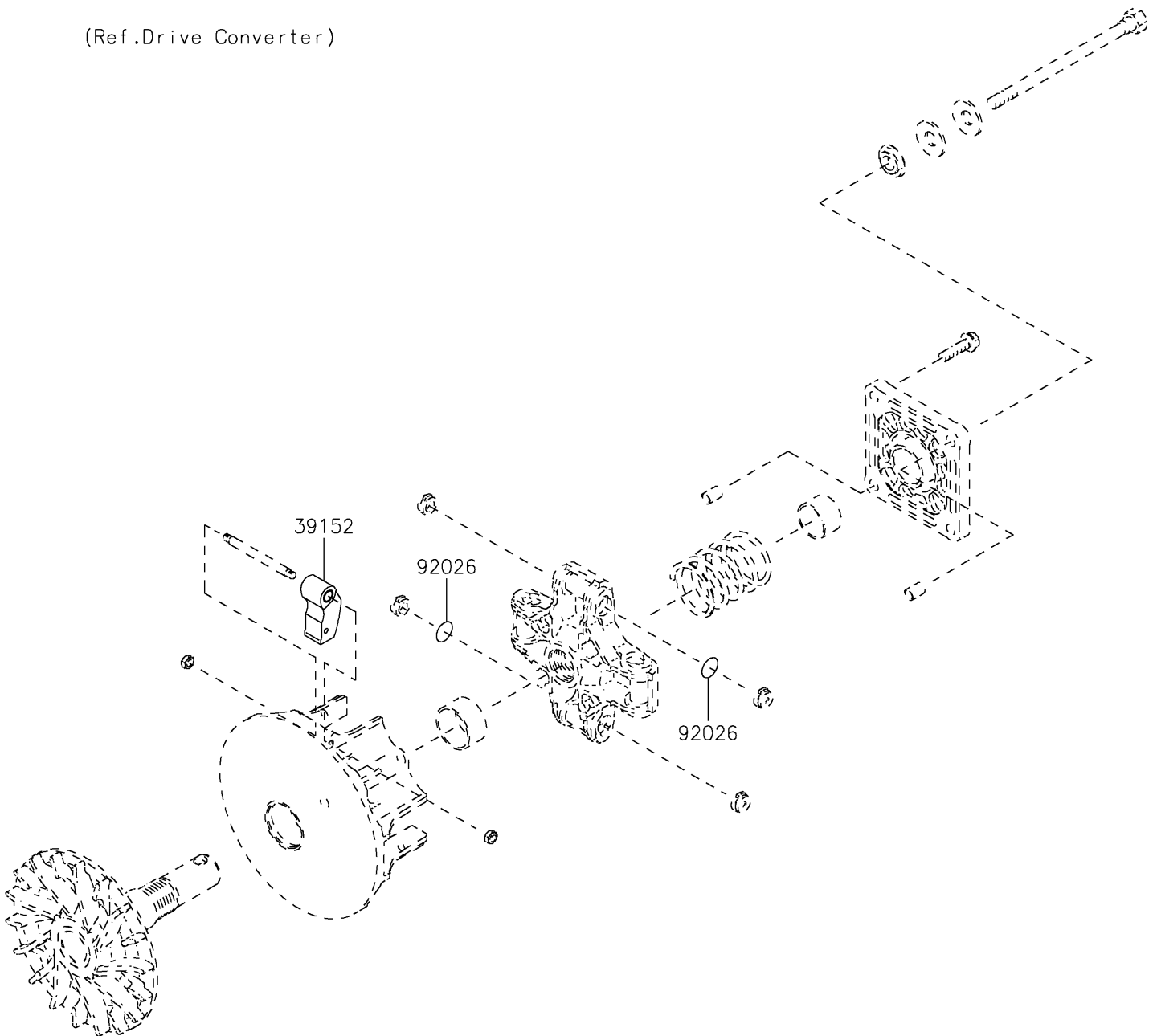
## PARTS DIAGRAM

### Optional Parts(Engine)

F2890



(Ref. Drive Converter)



# 2022 MULE SX™ 4x4 FI

## PARTS LIST

### Optional Parts(Engine)

**ITEM NAME**

**PART NUMBER**

**QUANTITY**

---