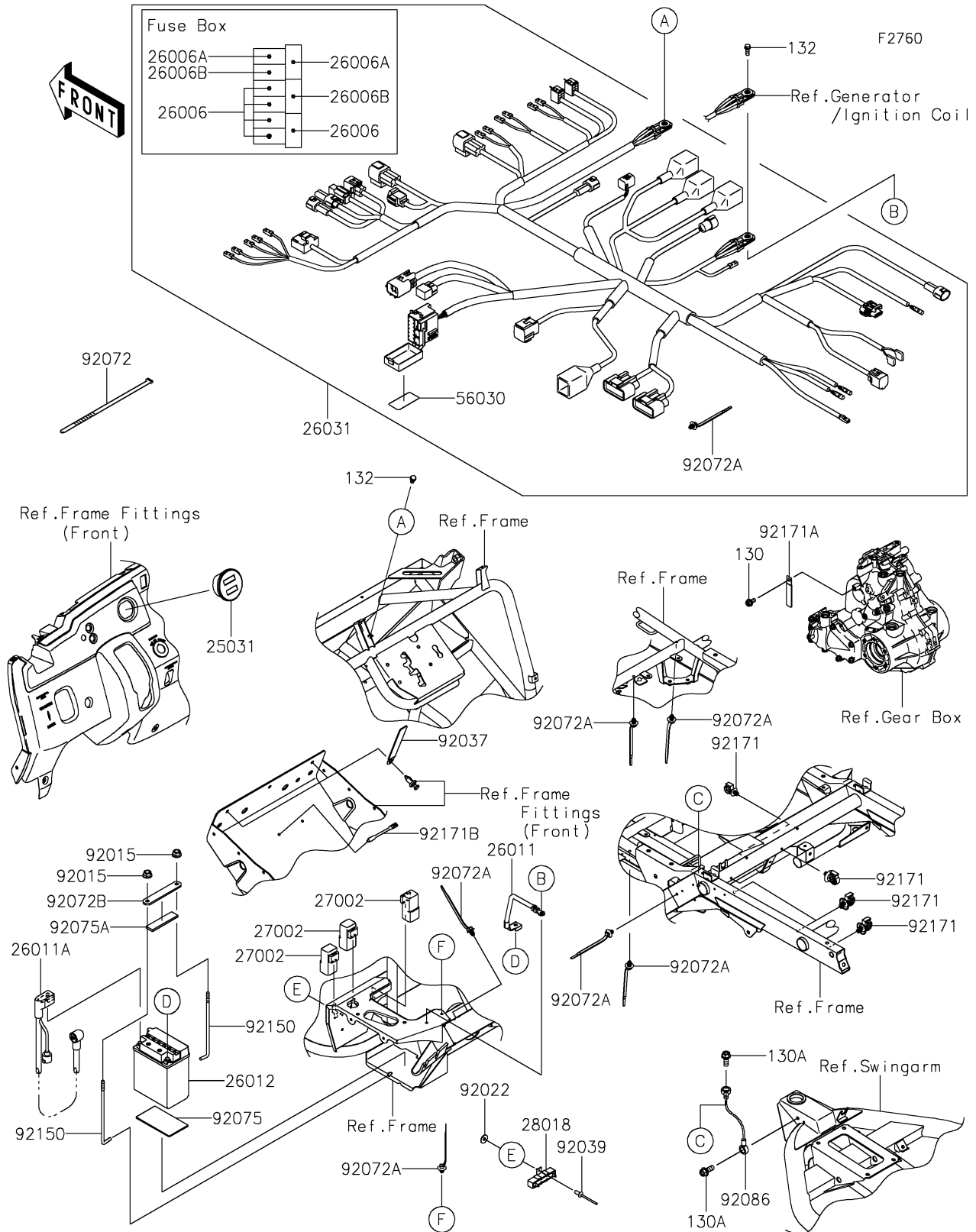


2021 MULE SX™ 4x4 FI

PARTS DIAGRAM

Chassis Electrical Equipment



2021 MULE SX™ 4x4 FI

PARTS LIST

Chassis Electrical Equipment

ITEM NAME

PART NUMBER

QUANTITY
