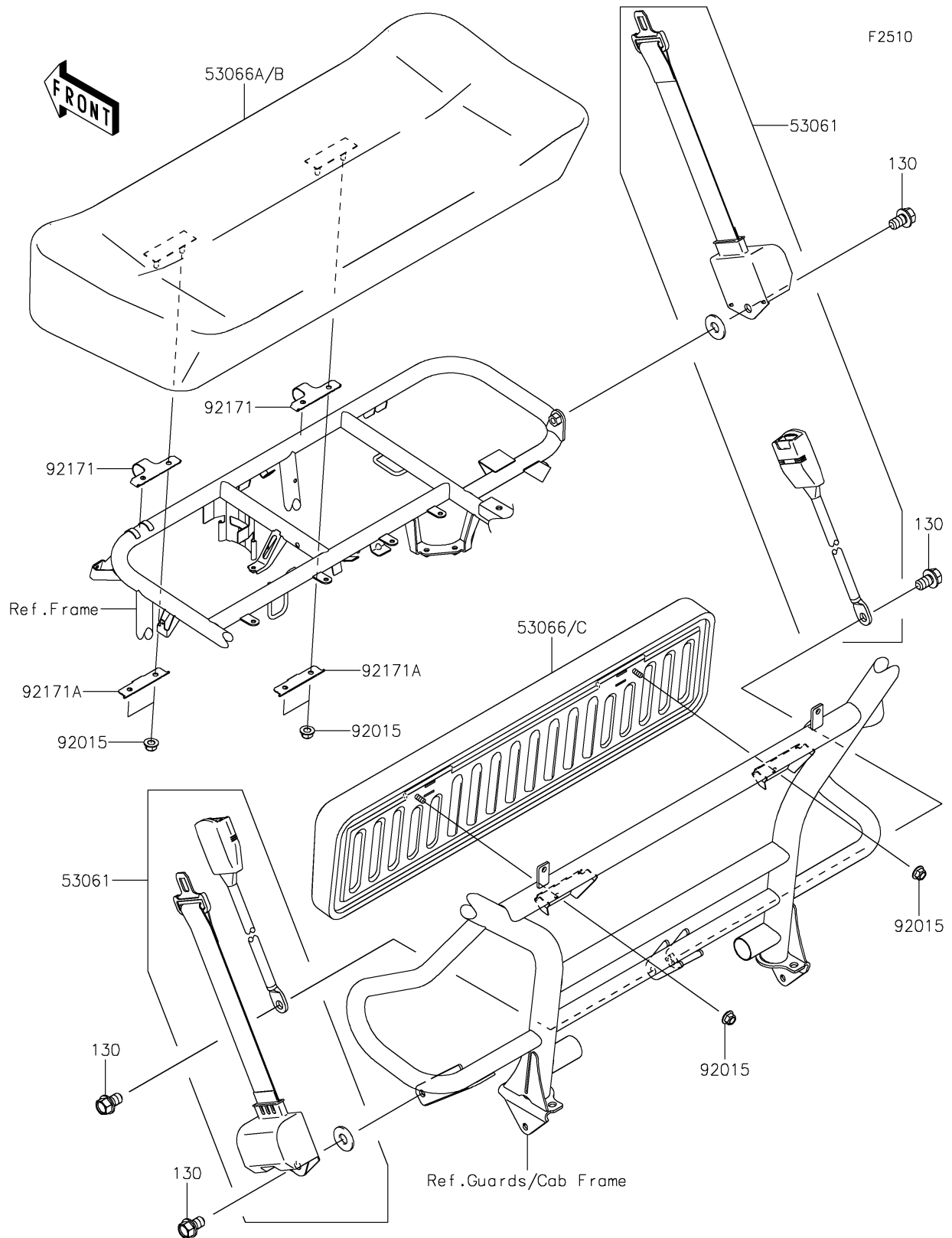


# 2022 MULE SX™ 4x4 FI

## PARTS DIAGRAM

### Seat



# 2022 MULE SX™ 4x4 FI

## PARTS LIST

Seat

**ITEM NAME**

**PART NUMBER**

**QUANTITY**

---