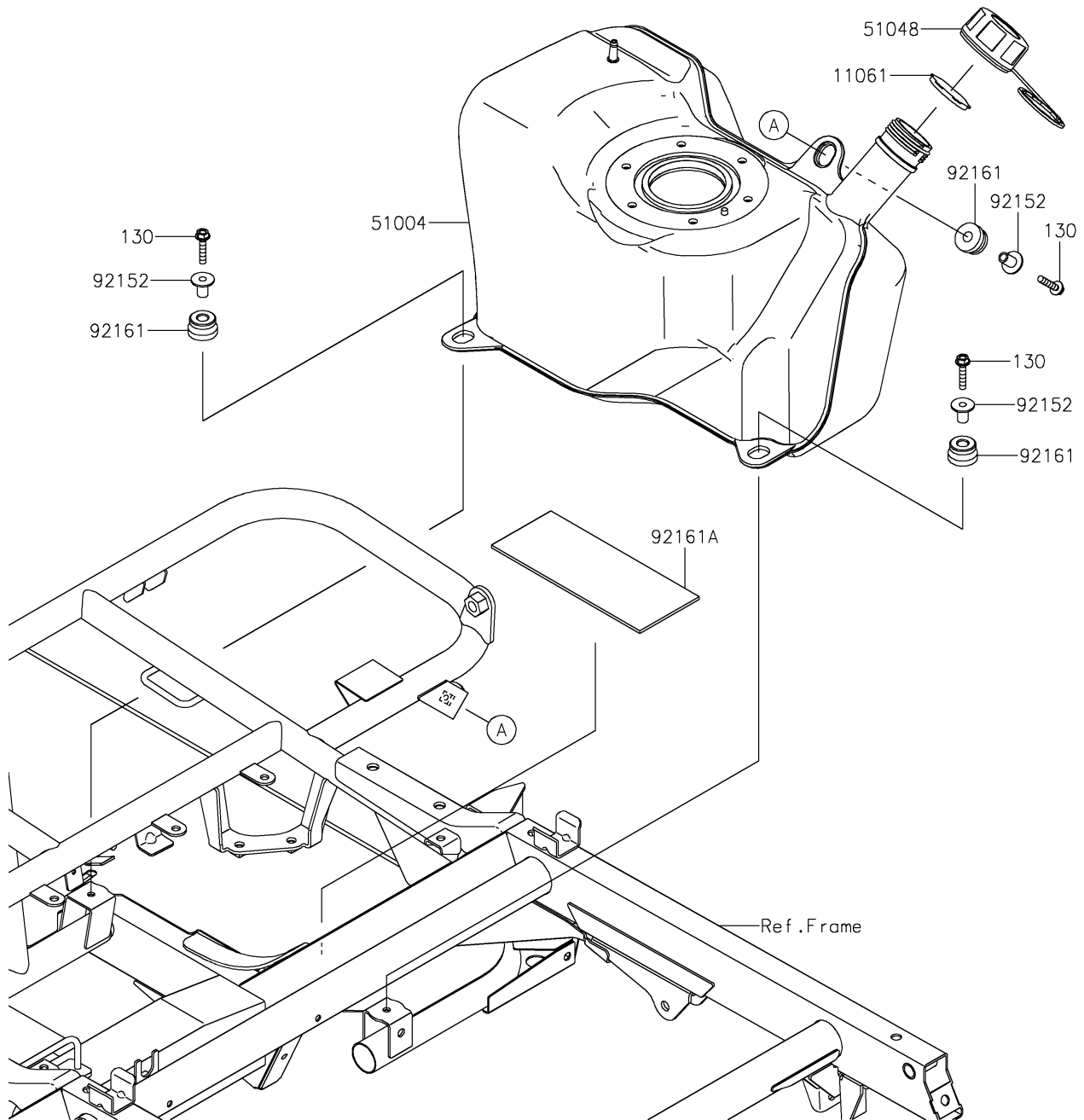


# 2022 MULE SX™ 4x4 FI

## PARTS DIAGRAM

### Fuel Tank

F2410



# 2022 MULE SX™ 4x4 FI

## PARTS LIST

Fuel Tank

**ITEM NAME**

**PART NUMBER**

**QUANTITY**

---