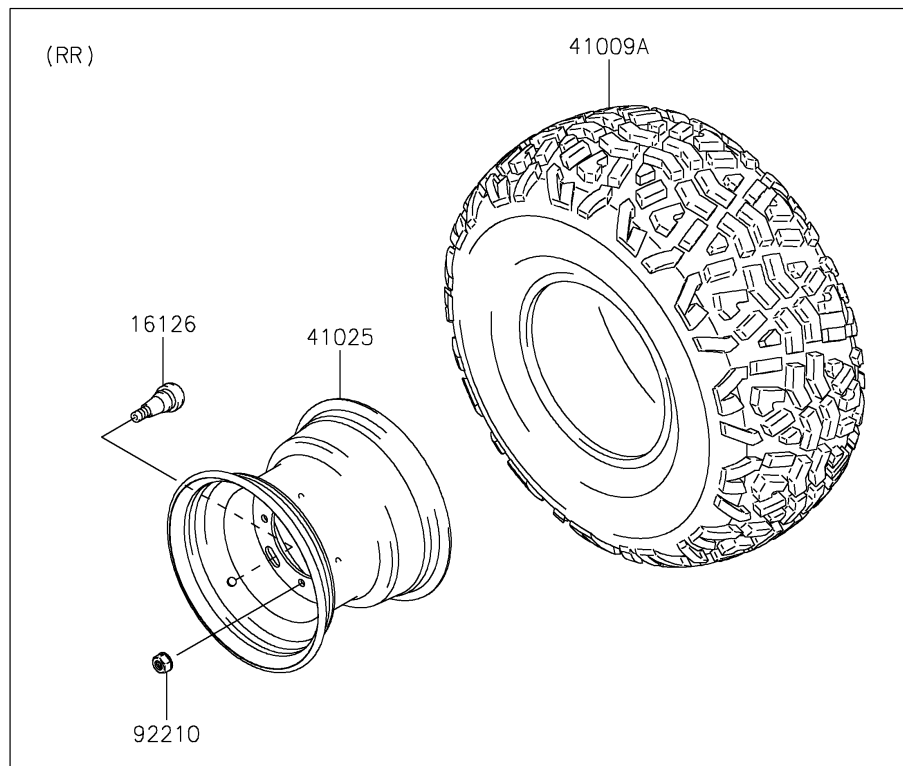
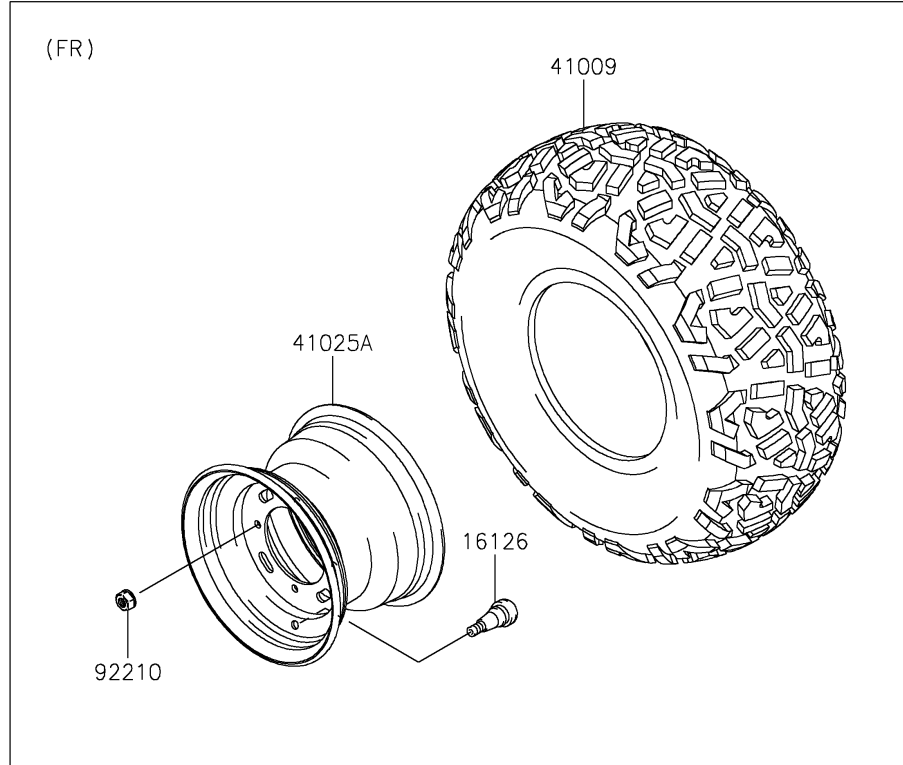


# 2022 MULE SX™ 4x4 FI

## PARTS DIAGRAM

### Wheels/Tires

F2210



# 2022 MULE SX™ 4x4 FI

## PARTS LIST

### Wheels/Tires

**ITEM NAME**

**PART NUMBER**

**QUANTITY**

---