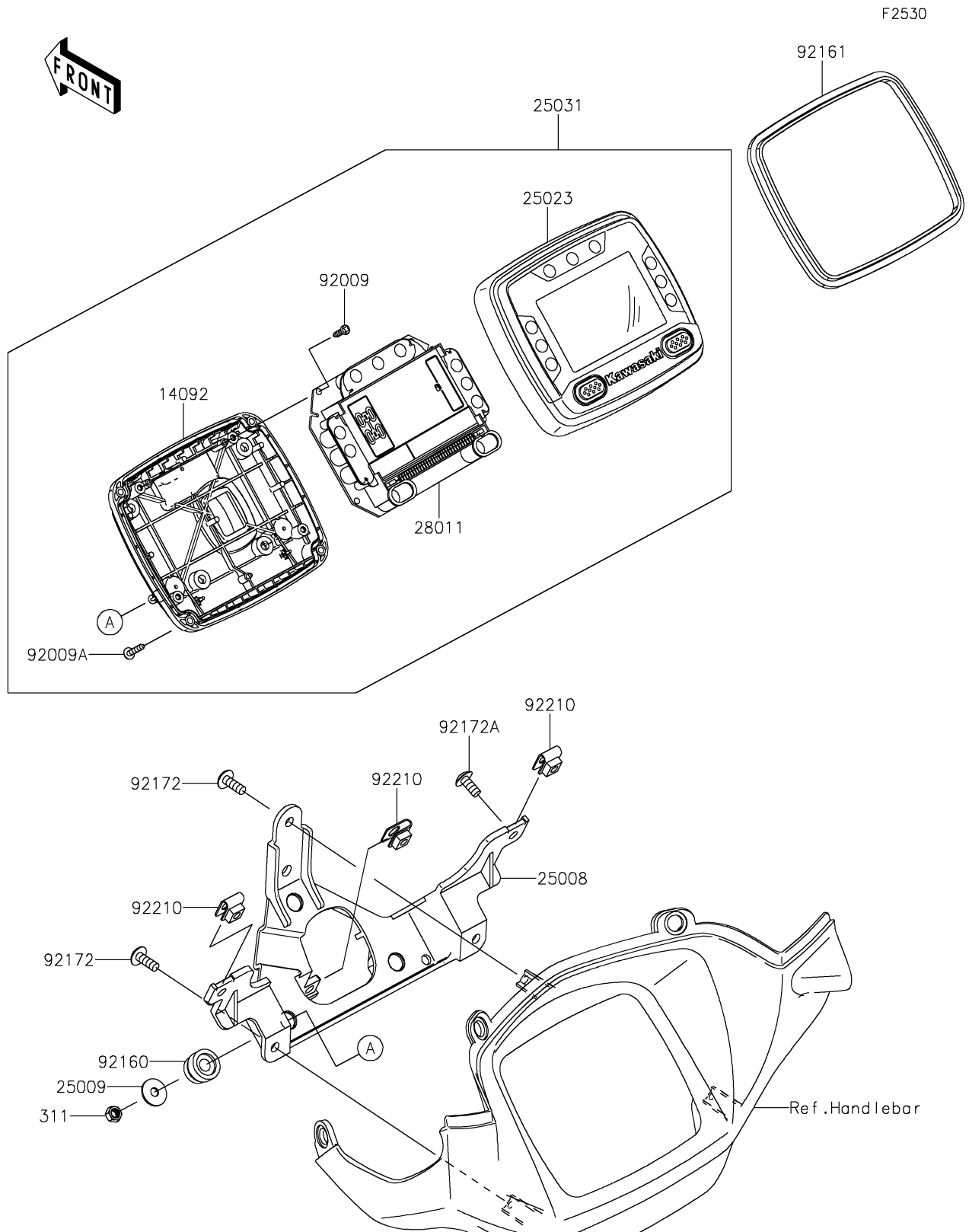


2022 BRUTE FORCE® 750 4x4i EPS

PARTS DIAGRAM

Meter(s)



2022 BRUTE FORCE® 750 4x4i EPS



PARTS LIST

Meter(s)

ITEM NAME	PART NUMBER	QUANTITY
-----------	-------------	----------
