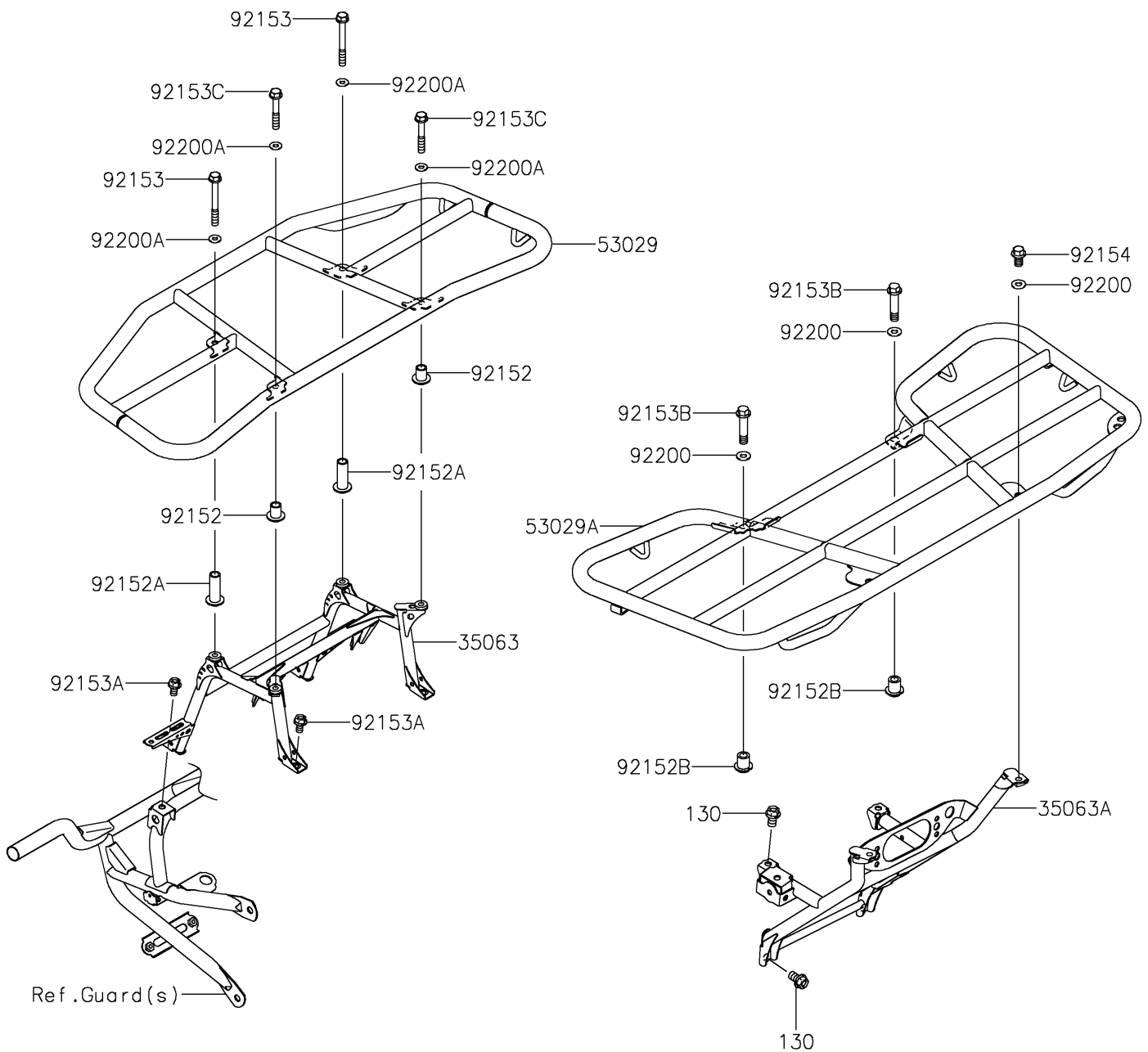


2022 BRUTE FORCE® 750 4x4i EPS

PARTS DIAGRAM

Carrier(s)

F2520



2022 BRUTE FORCE® 750 4x4i EPS



PARTS LIST

Carrier(s)

| ITEM NAME | PART NUMBER | QUANTITY |
|-----------|-------------|----------|
|-----------|-------------|----------|
