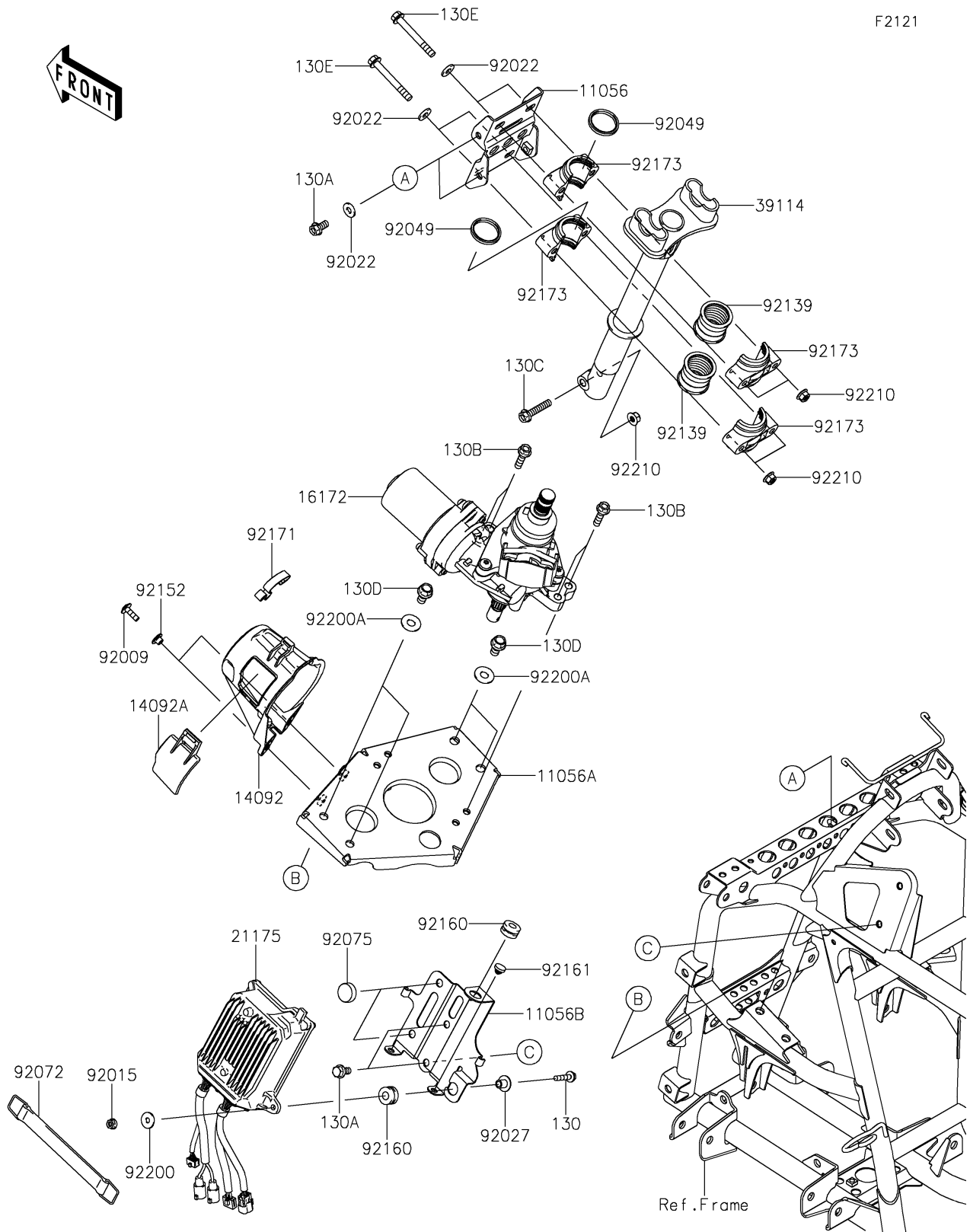


# 2022 BRUTE FORCE® 750 4x4i EPS

## PARTS DIAGRAM

### Steering Shaft



# 2022 BRUTE FORCE® 750 4x4i EPS



## PARTS LIST

### Steering Shaft

ITEM NAME	PART NUMBER	QUANTITY
-----------	-------------	----------

---