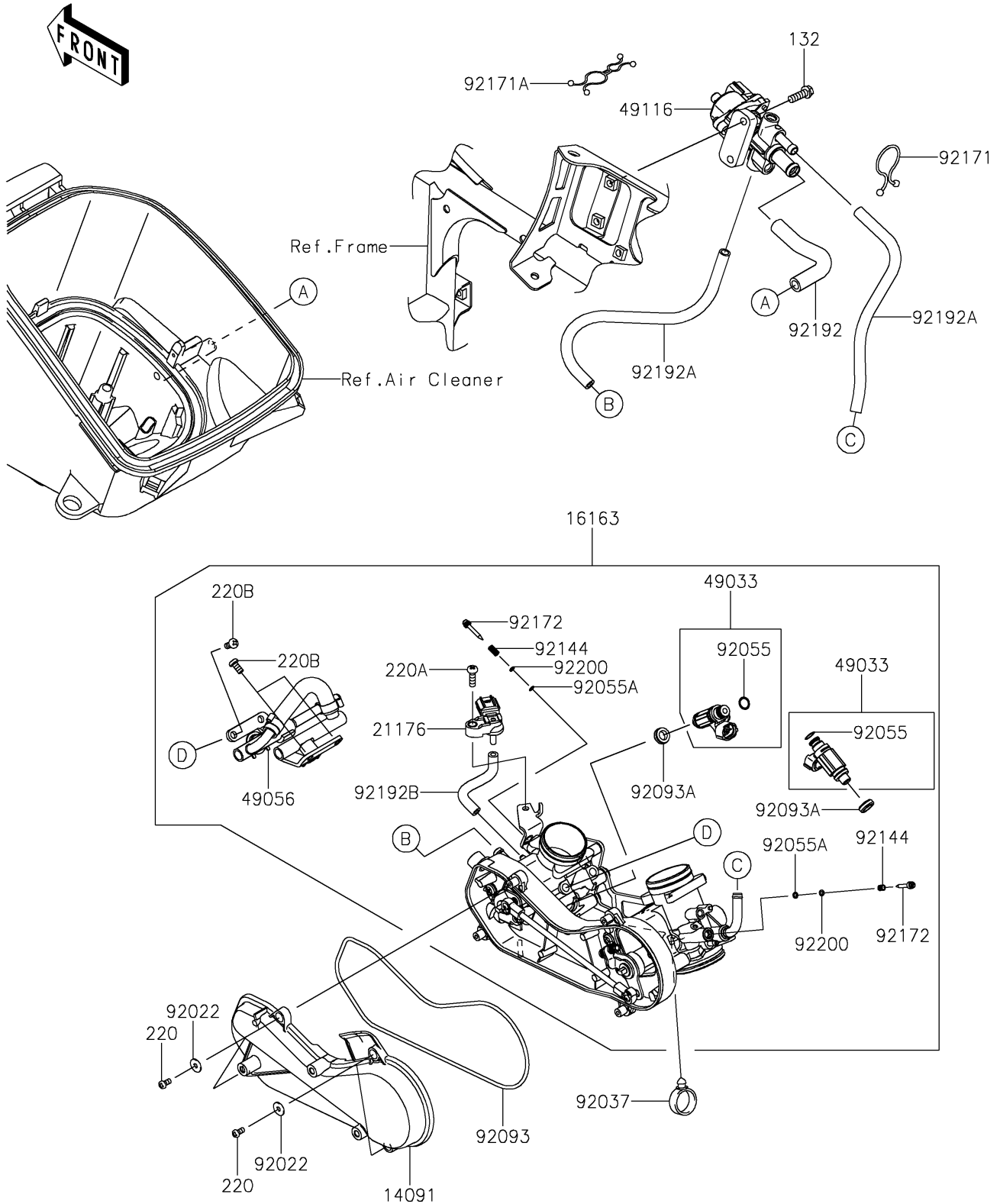


# 2022 BRUTE FORCE® 750 4x4i EPS

## PARTS DIAGRAM

### Throttle

E1510



# 2022 BRUTE FORCE® 750 4x4i EPS



## PARTS LIST

### Throttle

| ITEM NAME | PART NUMBER | QUANTITY |
|-----------|-------------|----------|
|-----------|-------------|----------|

---