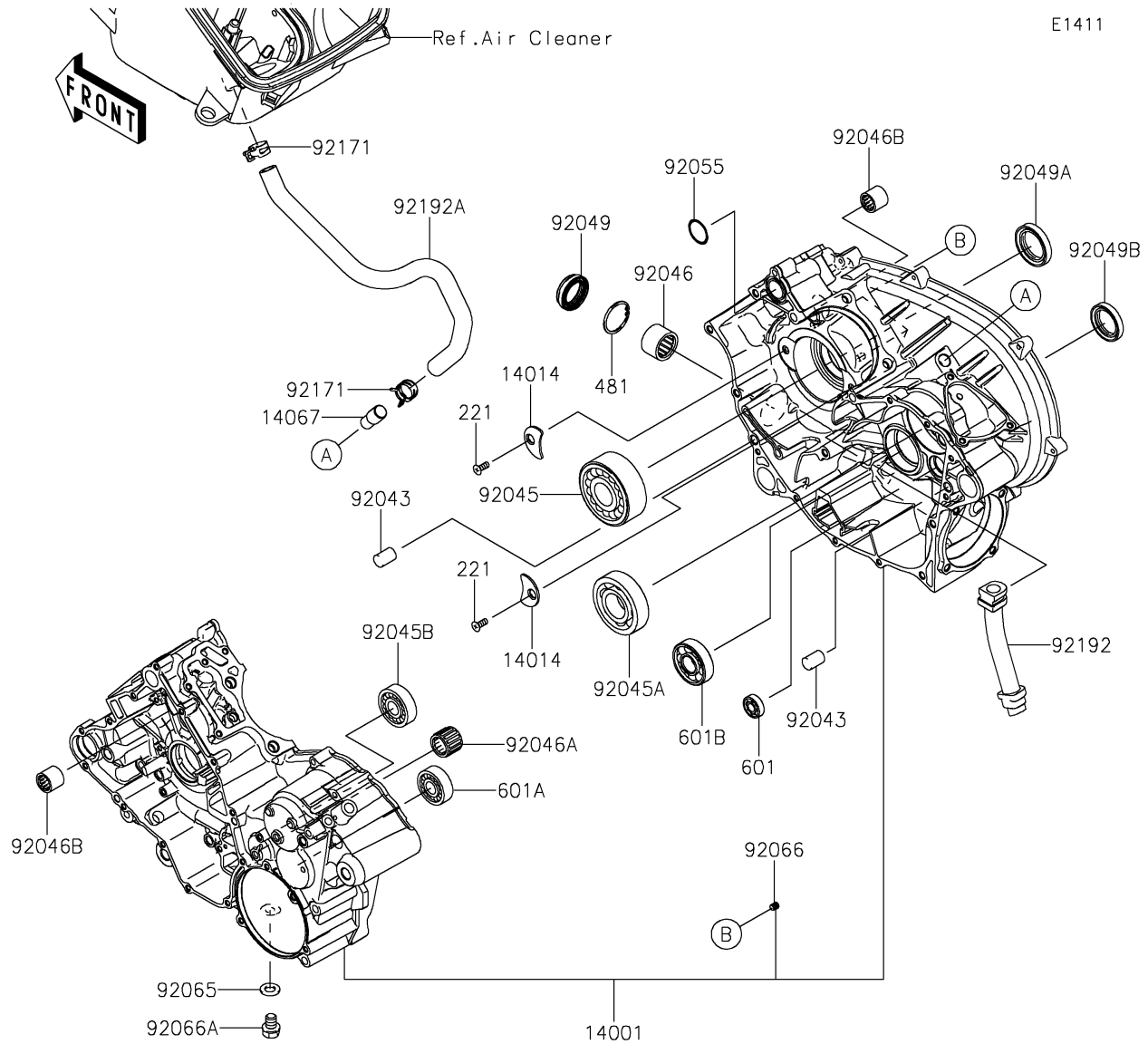


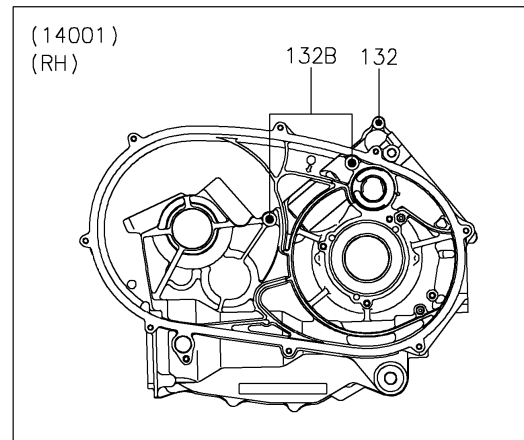
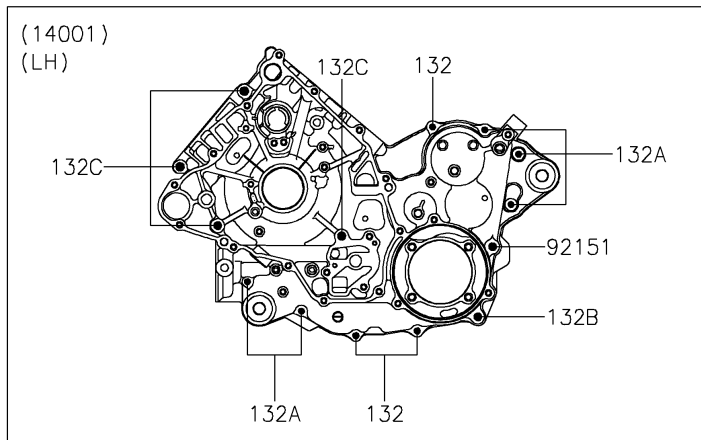
2022 BRUTE FORCE® 750 4x4i EPS

PARTS DIAGRAM

Crankcase



E1411



2022 BRUTE FORCE® 750 4x4i EPS



PARTS LIST

Crankcase

ITEM NAME	PART NUMBER	QUANTITY
-----------	-------------	----------
