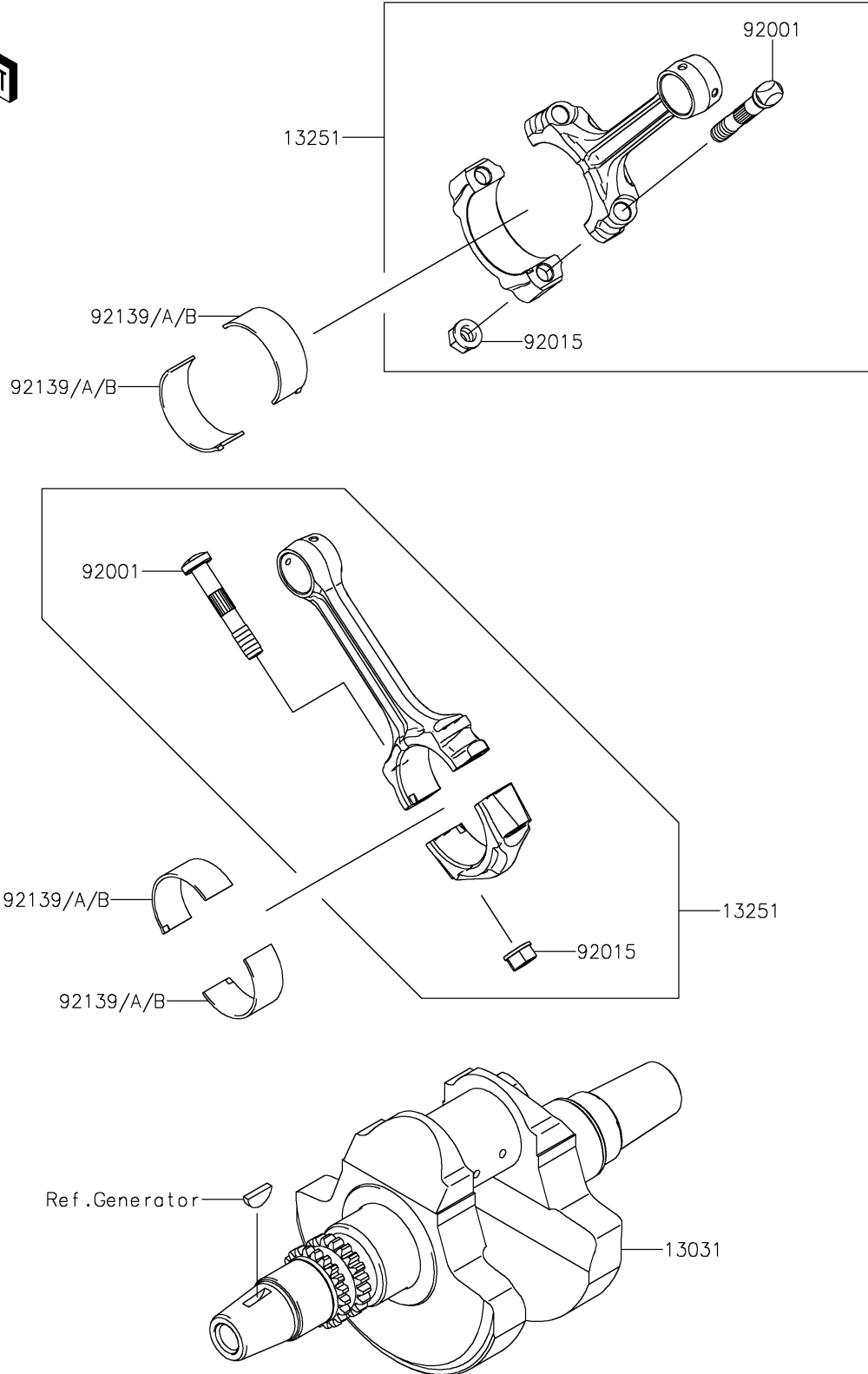


2022 BRUTE FORCE® 750 4x4i EPS

PARTS DIAGRAM

Crankshaft

E1321



2022 BRUTE FORCE® 750 4x4i EPS



PARTS LIST

Crankshaft

ITEM NAME	PART NUMBER	QUANTITY
-----------	-------------	----------
