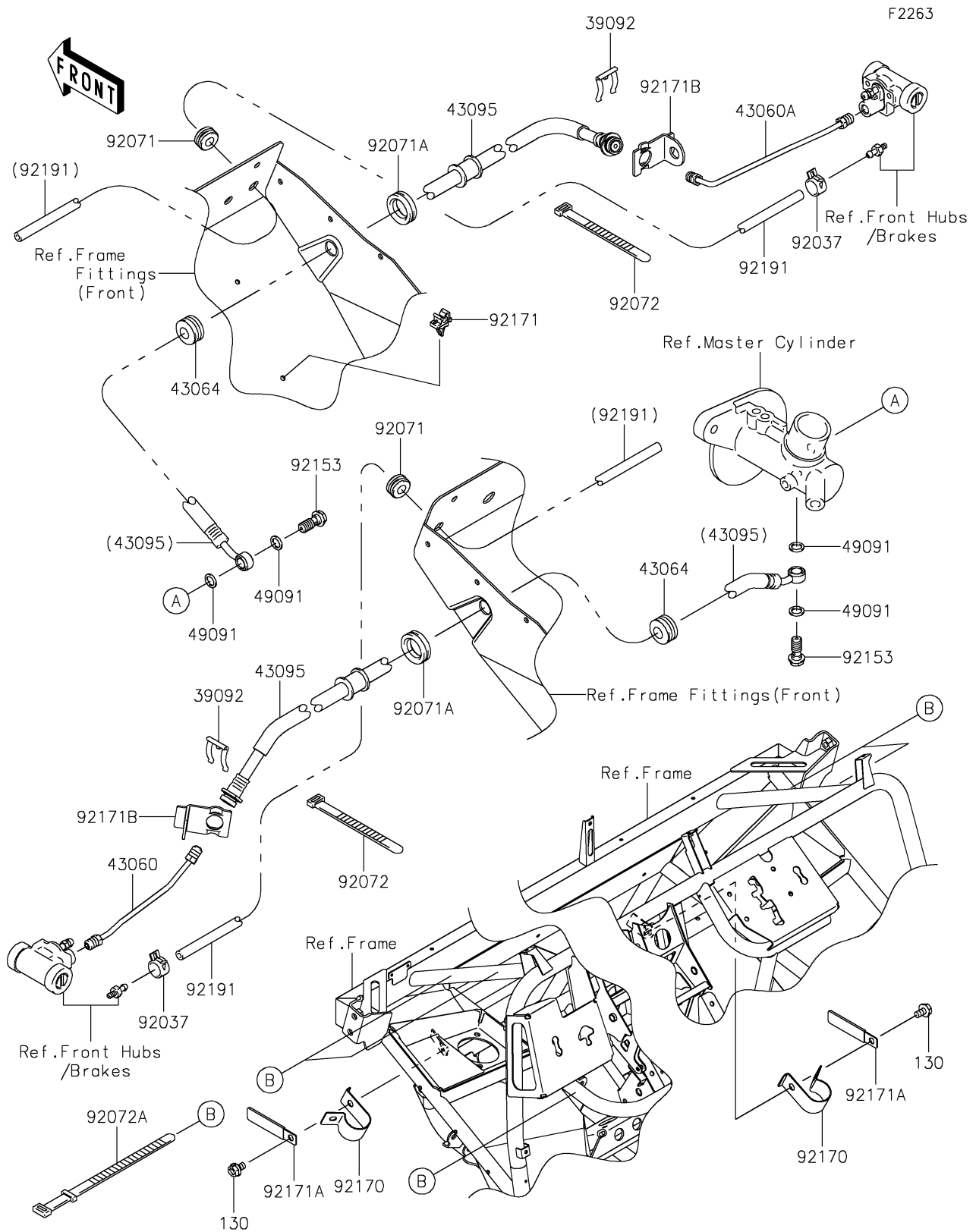


2020 MULE SX™ 4x4 SE FI

PARTS DIAGRAM

Front Brake Piping



2020 MULE SX™ 4x4 SE FI

PARTS LIST

Front Brake Piping

ITEM NAME	PART NUMBER	QUANTITY
-----------	-------------	----------
