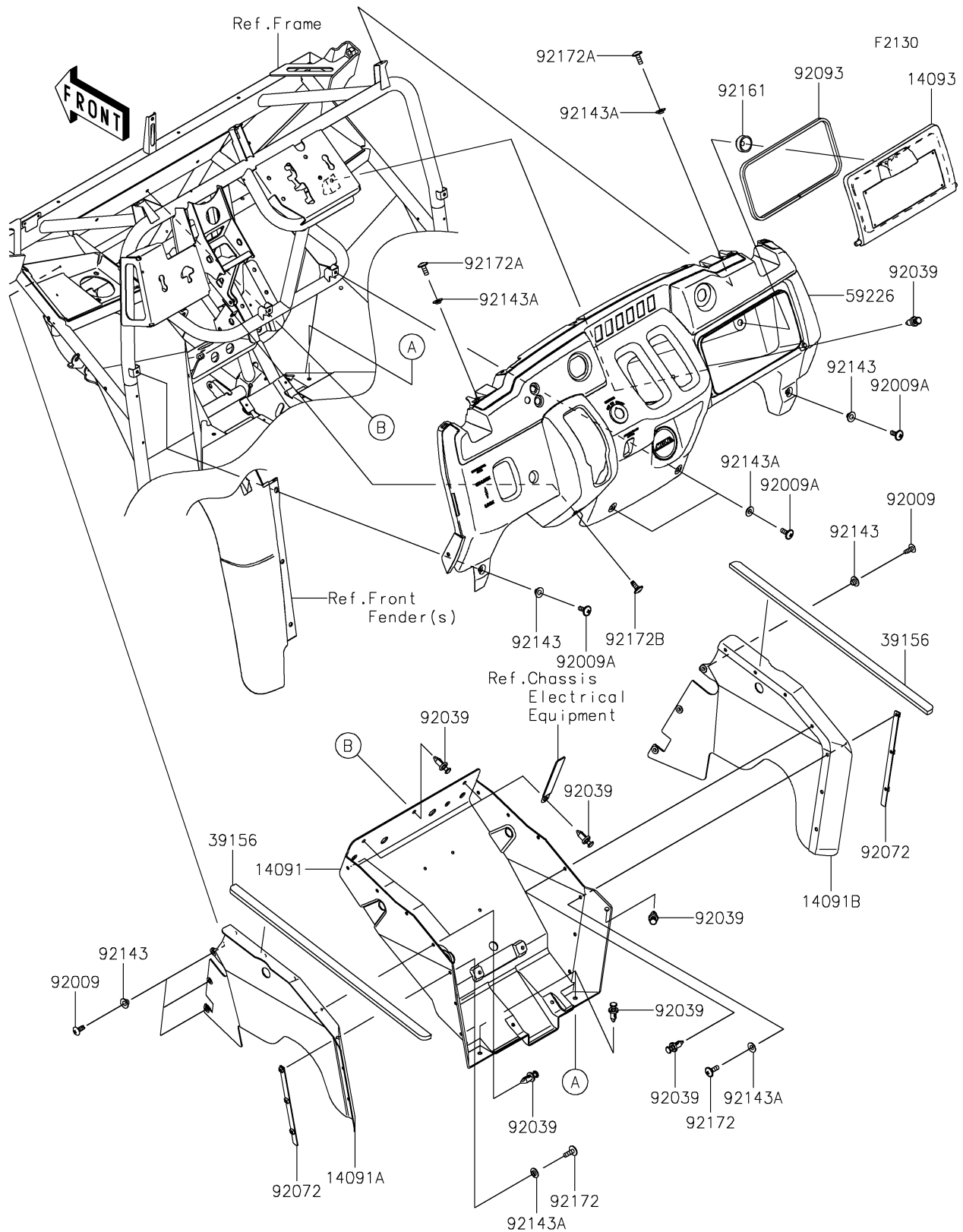


# 2020 MULE SX™ 4x4 SE FI

## PARTS DIAGRAM

### Frame Fittings(Front)



# 2020 MULE SX™ 4x4 SE FI

## PARTS LIST

### Frame Fittings(Front)

ITEM NAME	PART NUMBER	QUANTITY
-----------	-------------	----------

---