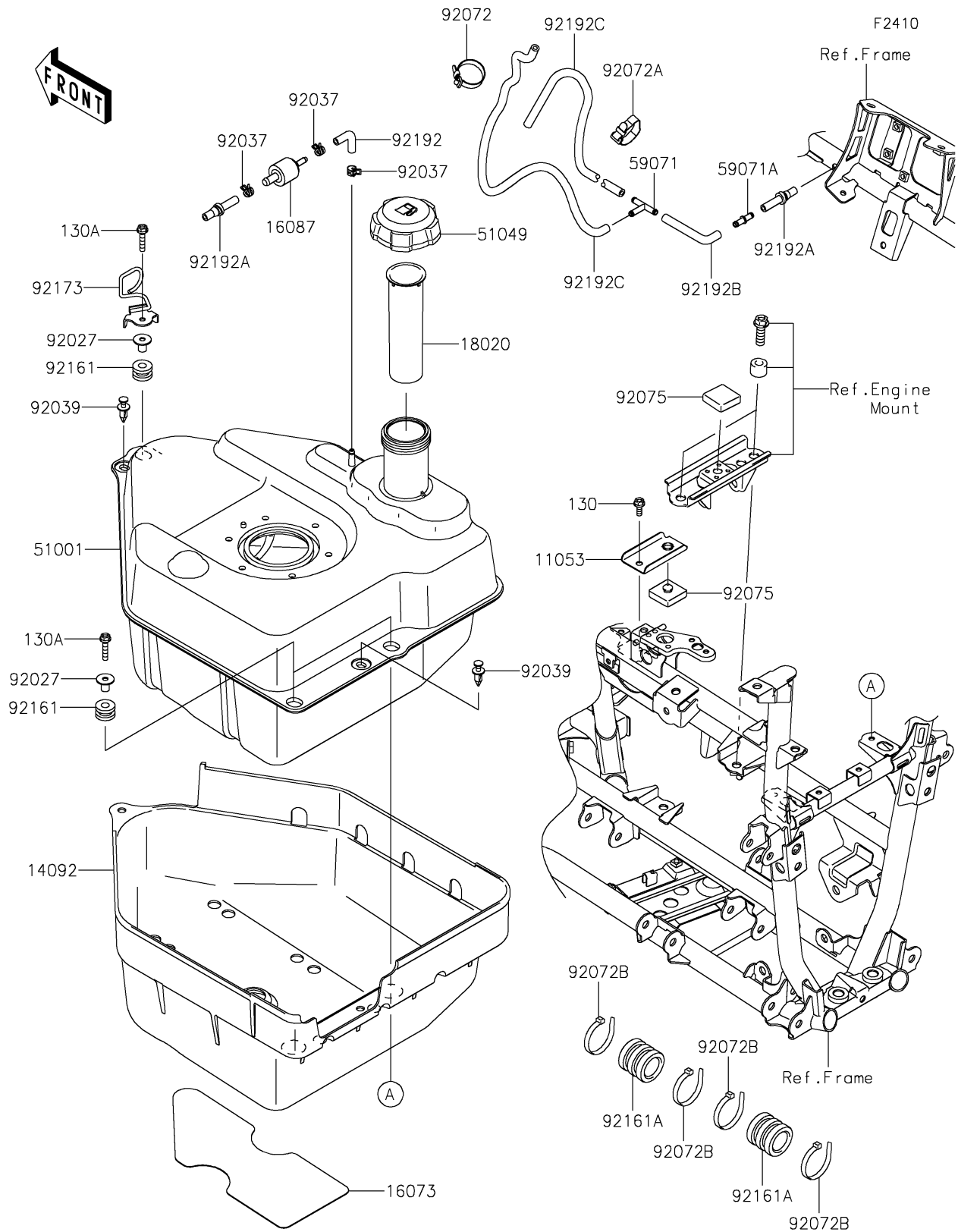


# 2020 BRUTE FORCE® 750 4x4i

## PARTS DIAGRAM

### Fuel Tank



# 2020 BRUTE FORCE® 750 4x4i

## PARTS LIST

### Fuel Tank

ITEM NAME	PART NUMBER	QUANTITY
-----------	-------------	----------

---