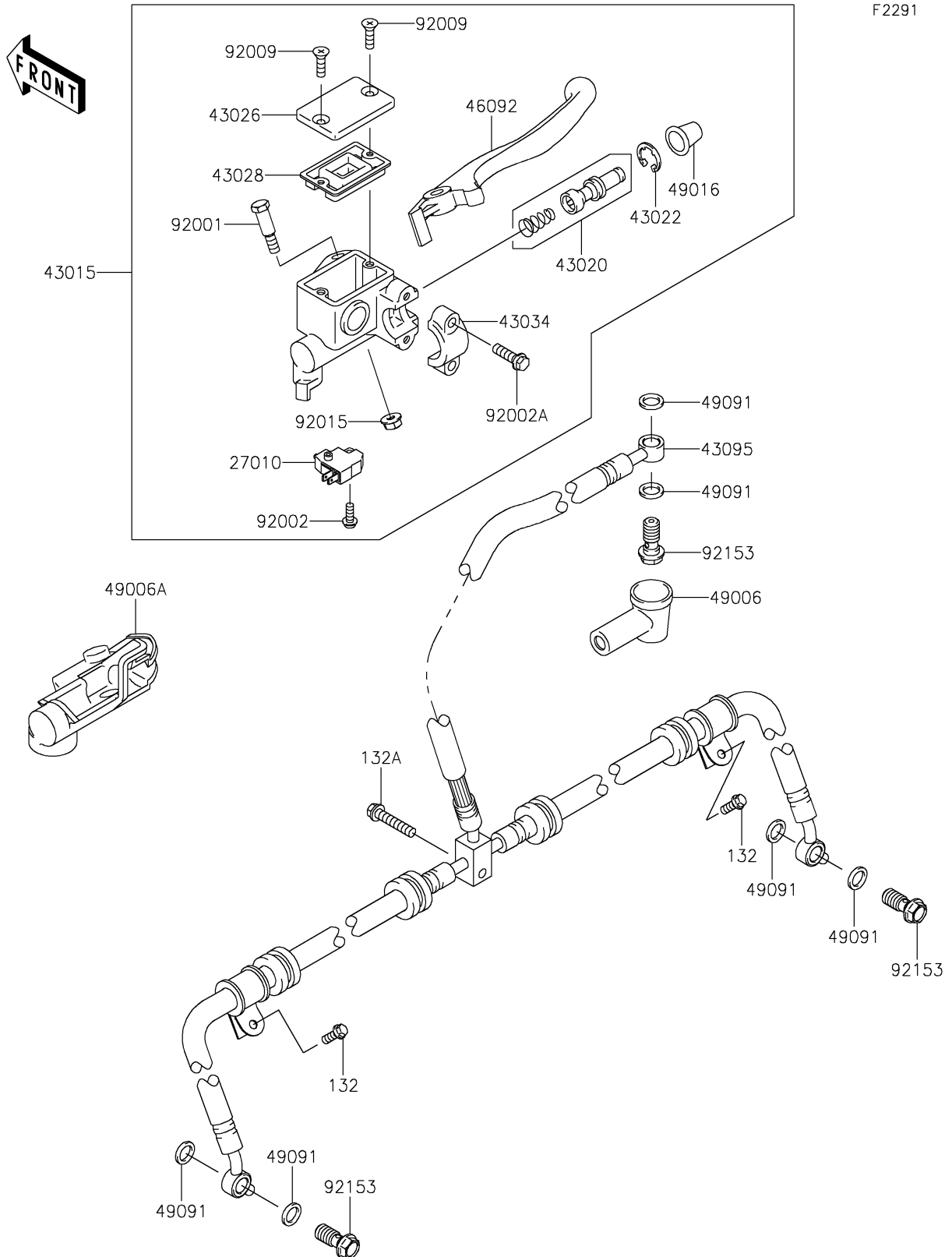


# 2020 BRUTE FORCE® 750 4x4i EPS

## PARTS DIAGRAM

### Front Master Cylinder



# 2020 BRUTE FORCE® 750 4x4i EPS



## PARTS LIST

### Front Master Cylinder

| ITEM NAME | PART NUMBER | QUANTITY |
|-----------|-------------|----------|
|-----------|-------------|----------|

---