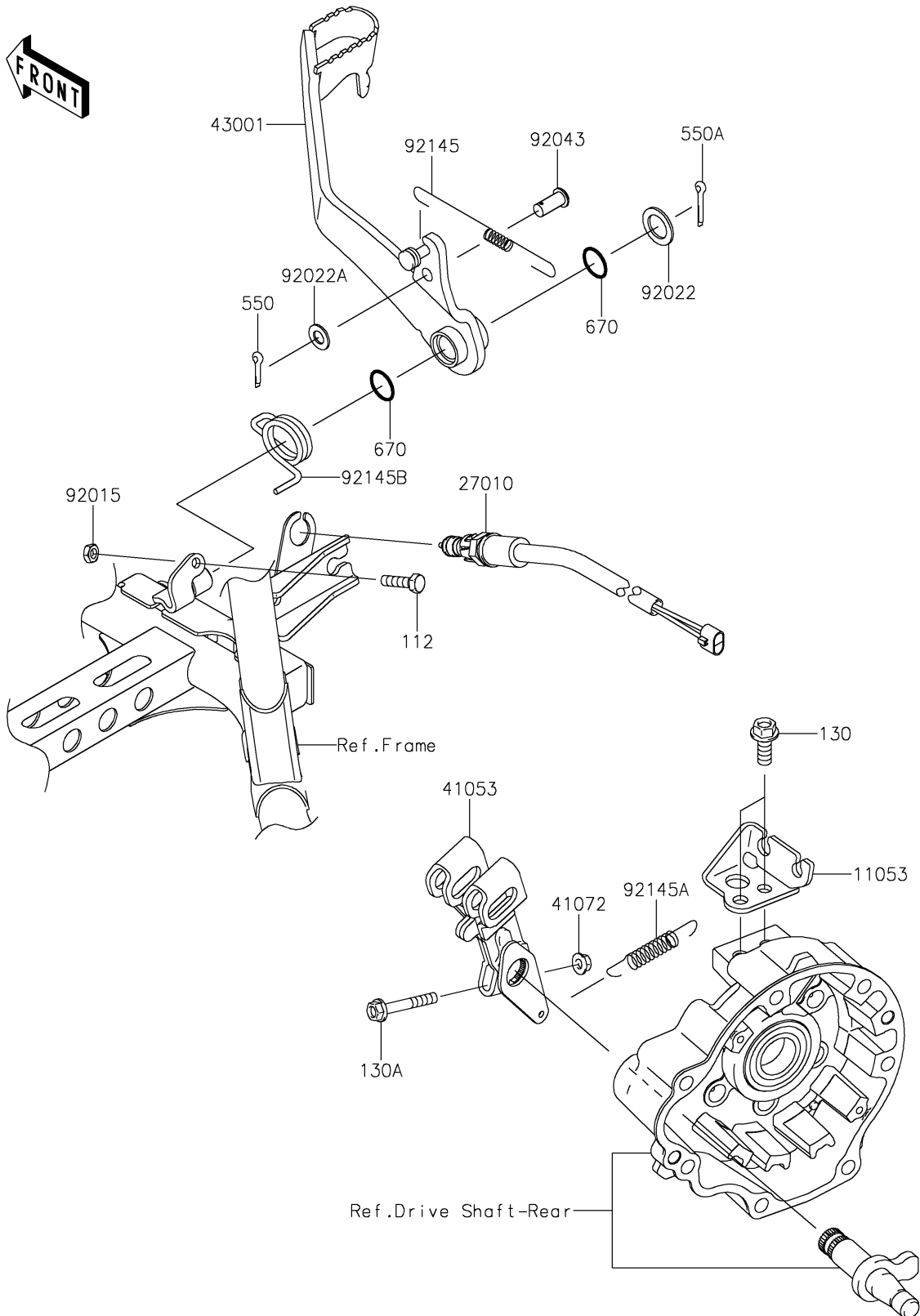


# 2020 BRUTE FORCE® 750 4x4i EPS

## PARTS DIAGRAM

### Brake Pedal

F2260



# 2020 BRUTE FORCE® 750 4x4i EPS



## PARTS LIST

### Brake Pedal

ITEM NAME	PART NUMBER	QUANTITY
-----------	-------------	----------

---