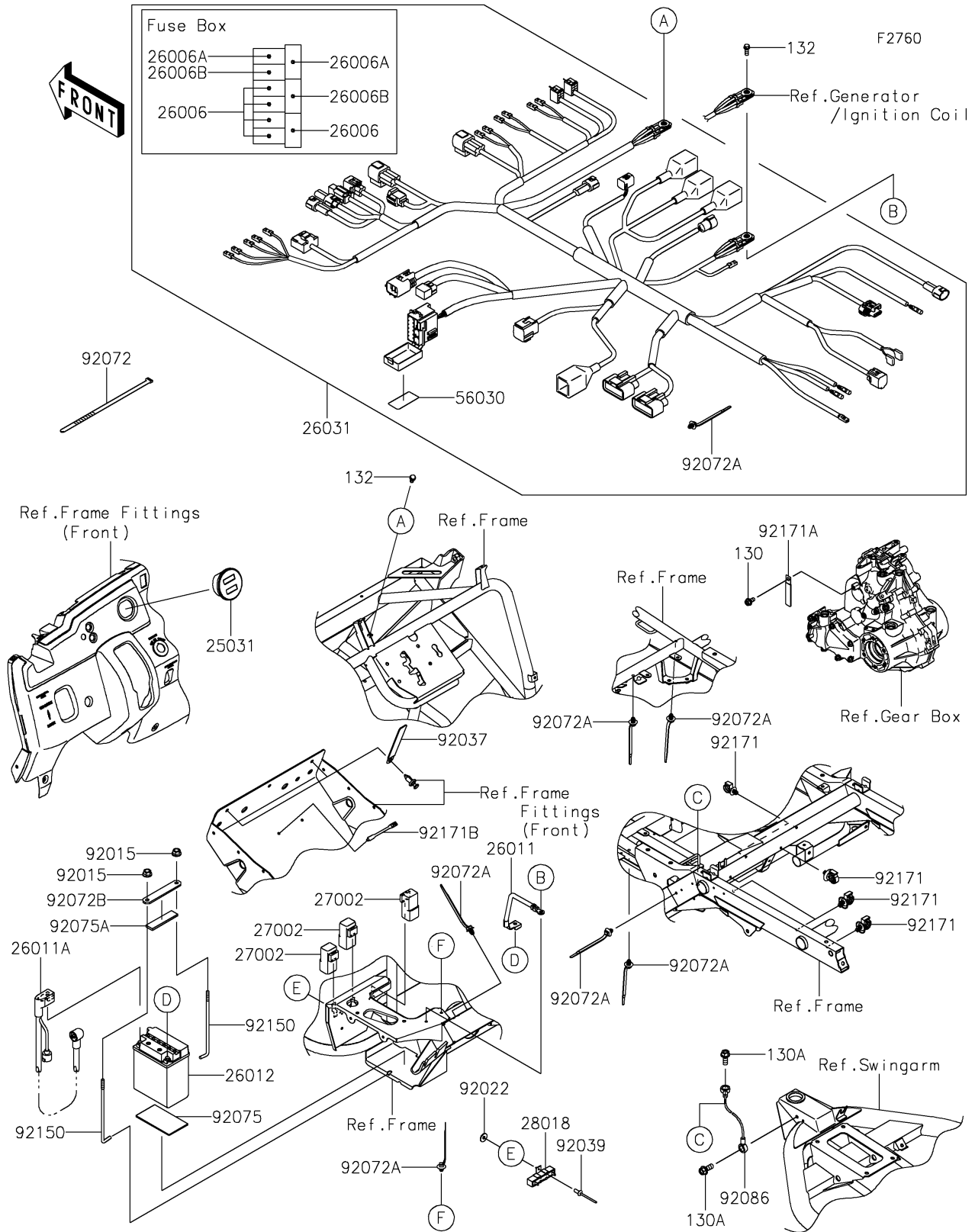


2019 MULE SX™ 4x4 XC LE FI

PARTS DIAGRAM

Chassis Electrical Equipment



2019 MULE SX™ 4x4 XC LE FI

PARTS LIST

Chassis Electrical Equipment

| ITEM NAME | PART NUMBER | QUANTITY |
|-----------|-------------|----------|
|-----------|-------------|----------|
