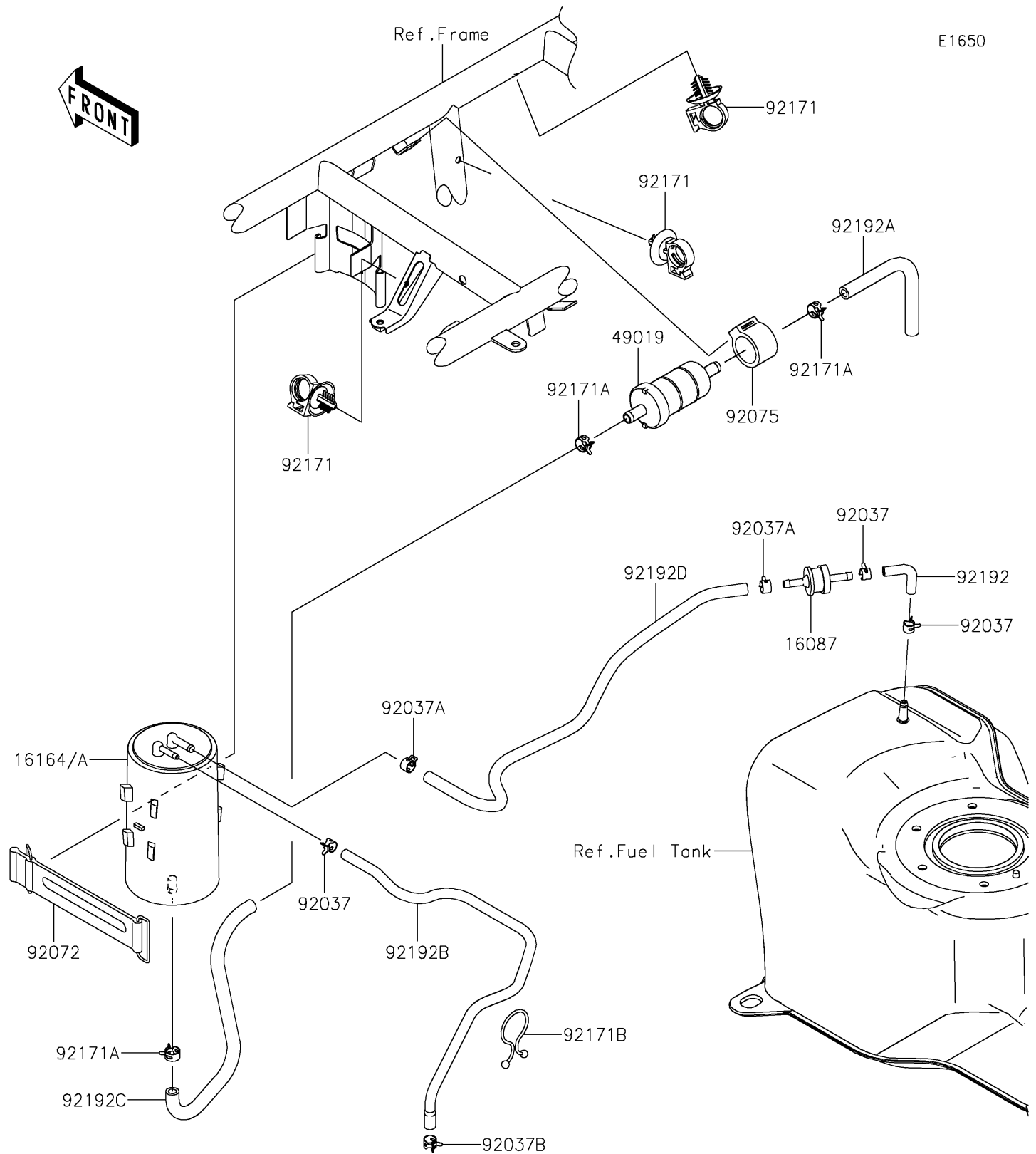


# 2019 MULE SX™ 4x4 XC LE FI

## PARTS DIAGRAM

### Fuel Evaporative System



# 2019 MULE SX™ 4x4 XC LE FI

## PARTS LIST

### Fuel Evaporative System

**ITEM NAME**

**PART NUMBER**

**QUANTITY**

---