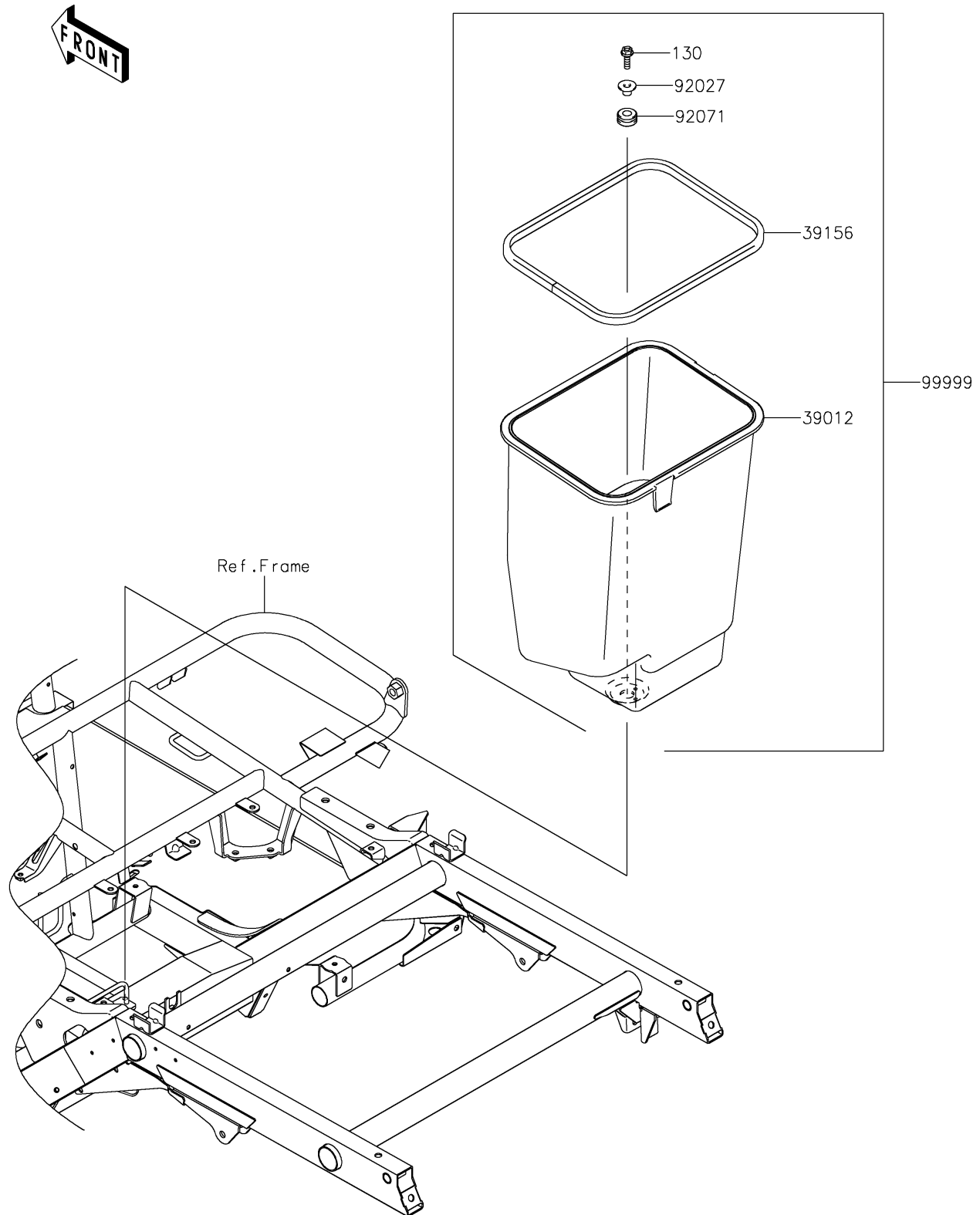


2020 MULE SX™ 4x4 XC FI

PARTS DIAGRAM

Optional Parts(Frame)

F2890A



2020 MULE SX™ 4x4 XC FI

PARTS LIST

Optional Parts(Frame)

ITEM NAME	PART NUMBER	QUANTITY
-----------	-------------	----------
