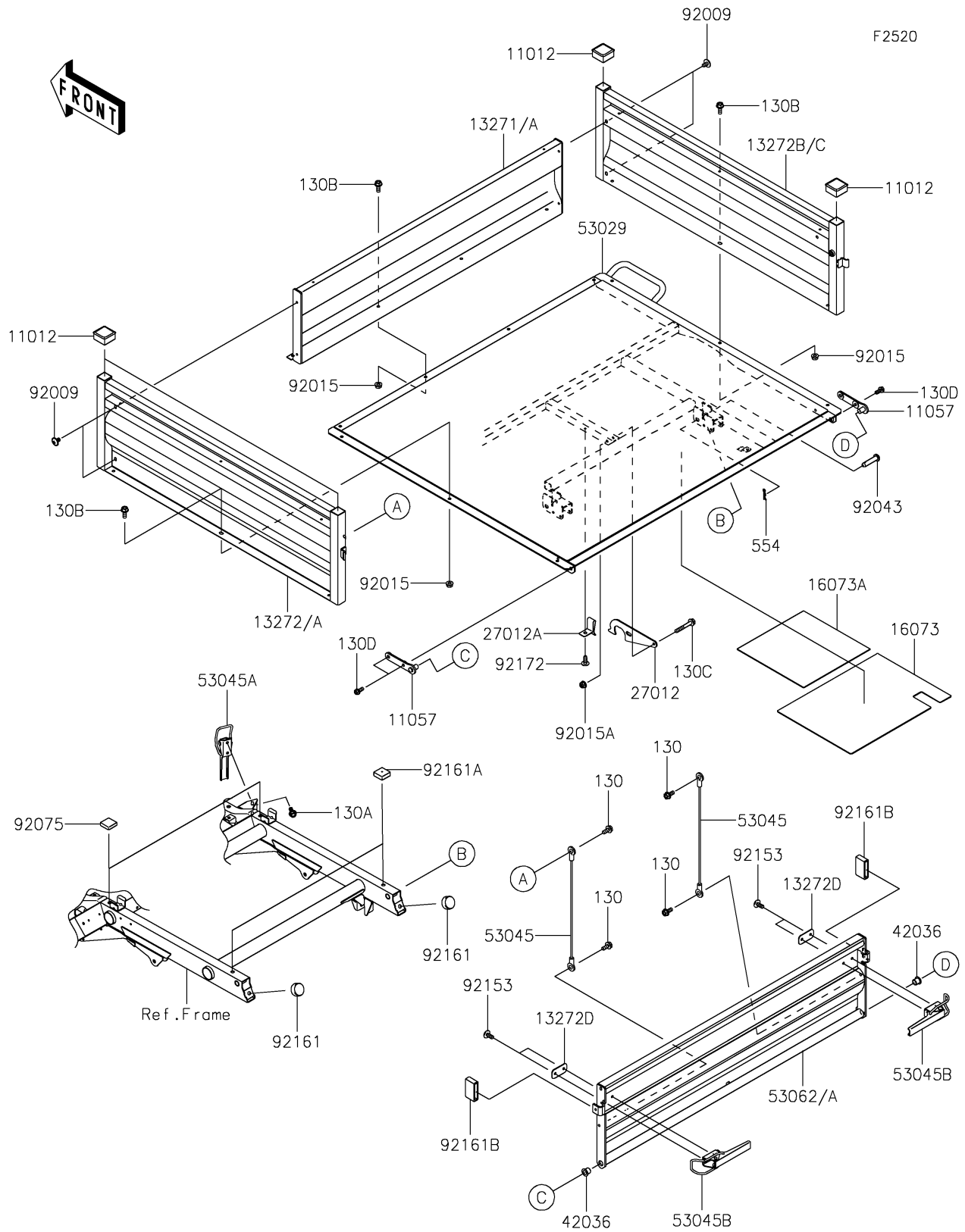


2020 MULE SX™ 4x4 XC FI

PARTS DIAGRAM

Carrier(s)



2020 MULE SX™ 4x4 XC FI

PARTS LIST

Carrier(s)

ITEM NAME

PART NUMBER

QUANTITY
