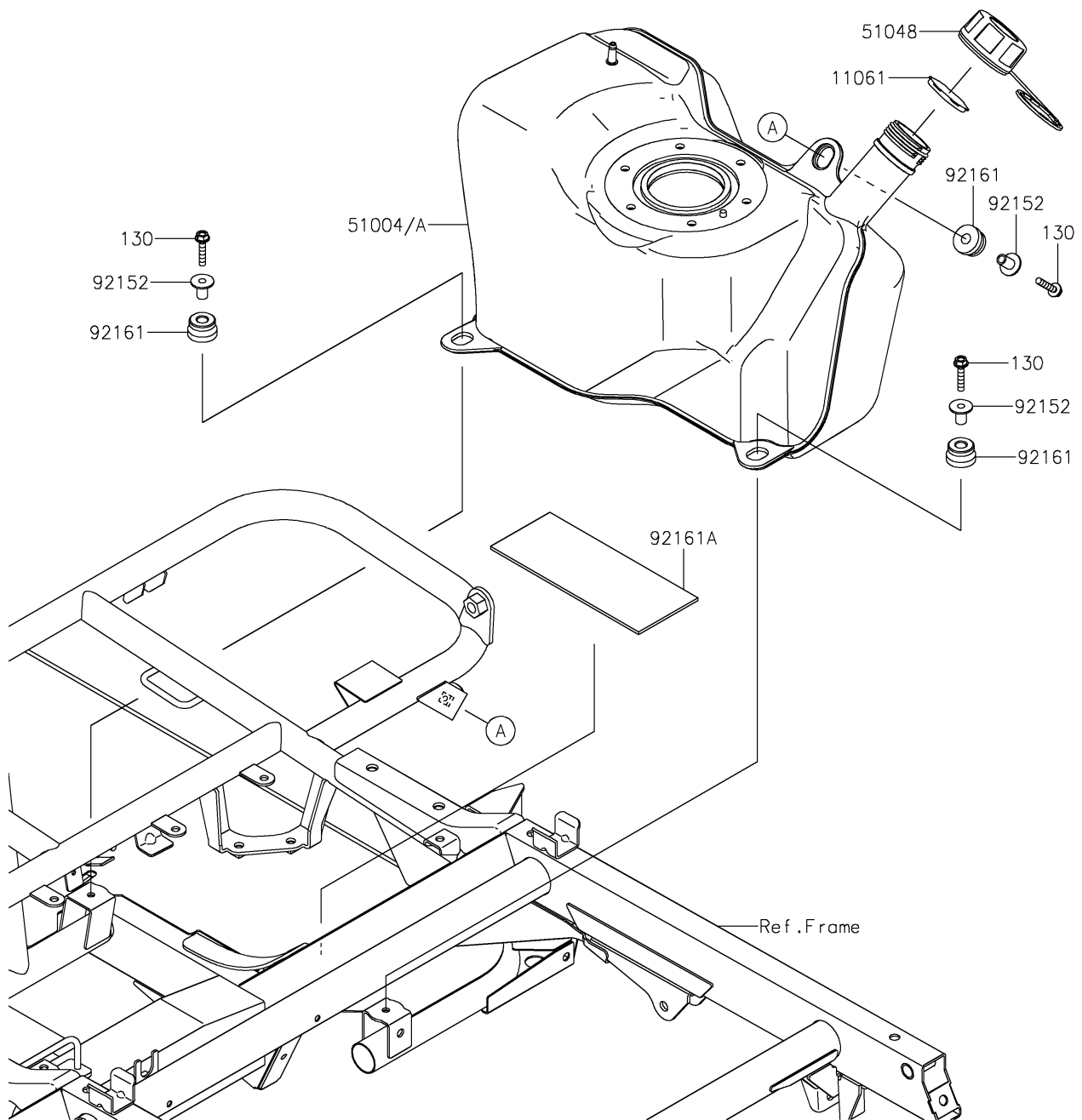


# 2019 MULE SX™ 4x4 XC FI

## PARTS DIAGRAM

### Fuel Tank

F2410



# 2019 MULE SX™ 4x4 XC FI

## PARTS LIST

Fuel Tank

ITEM NAME	PART NUMBER	QUANTITY
-----------	-------------	----------

---