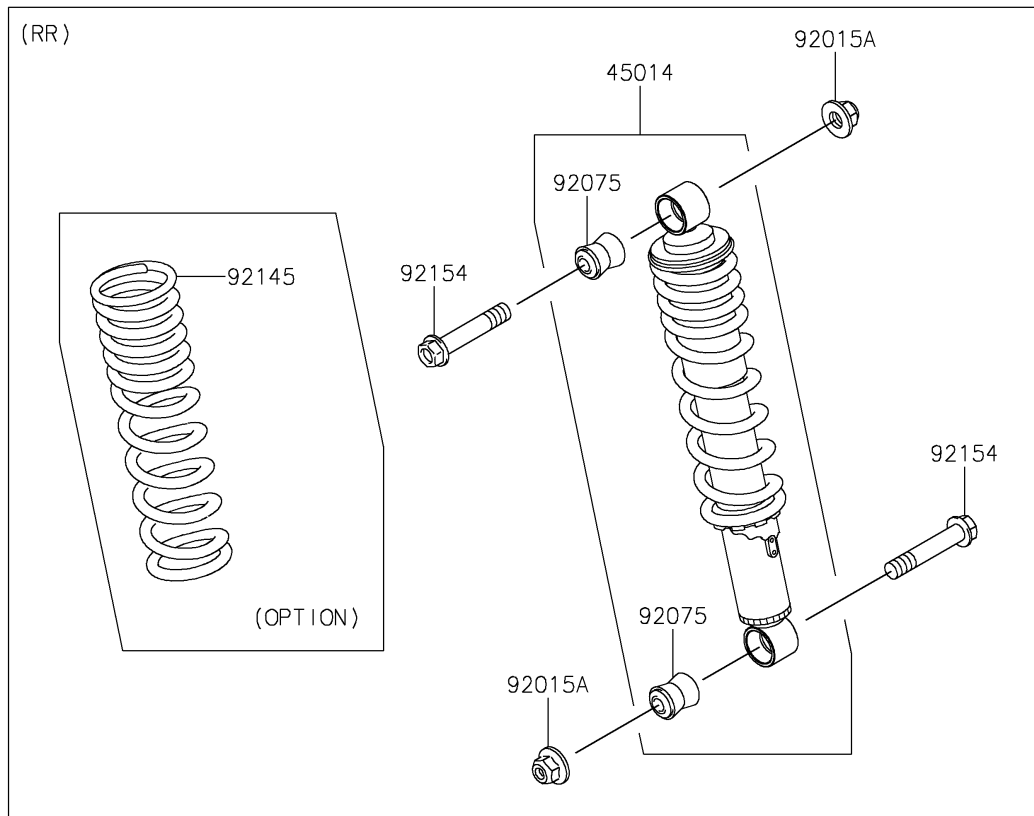
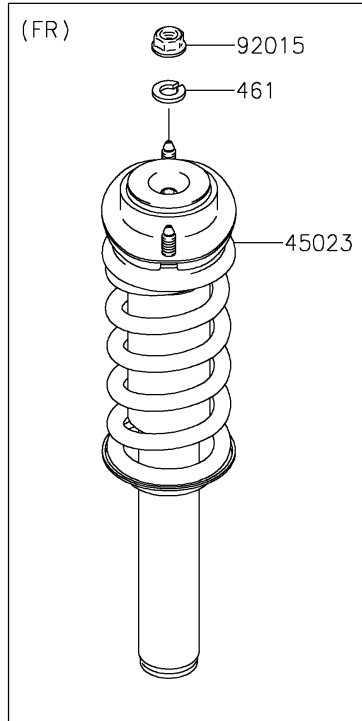


# 2020 MULE SX™ 4x4 XC FI

## PARTS DIAGRAM

### Shock Absorber(s)

F2280



# 2020 MULE SX™ 4x4 XC FI

## PARTS LIST

### Shock Absorber(s)

| ITEM NAME | PART NUMBER | QUANTITY |
|-----------|-------------|----------|
|-----------|-------------|----------|

---