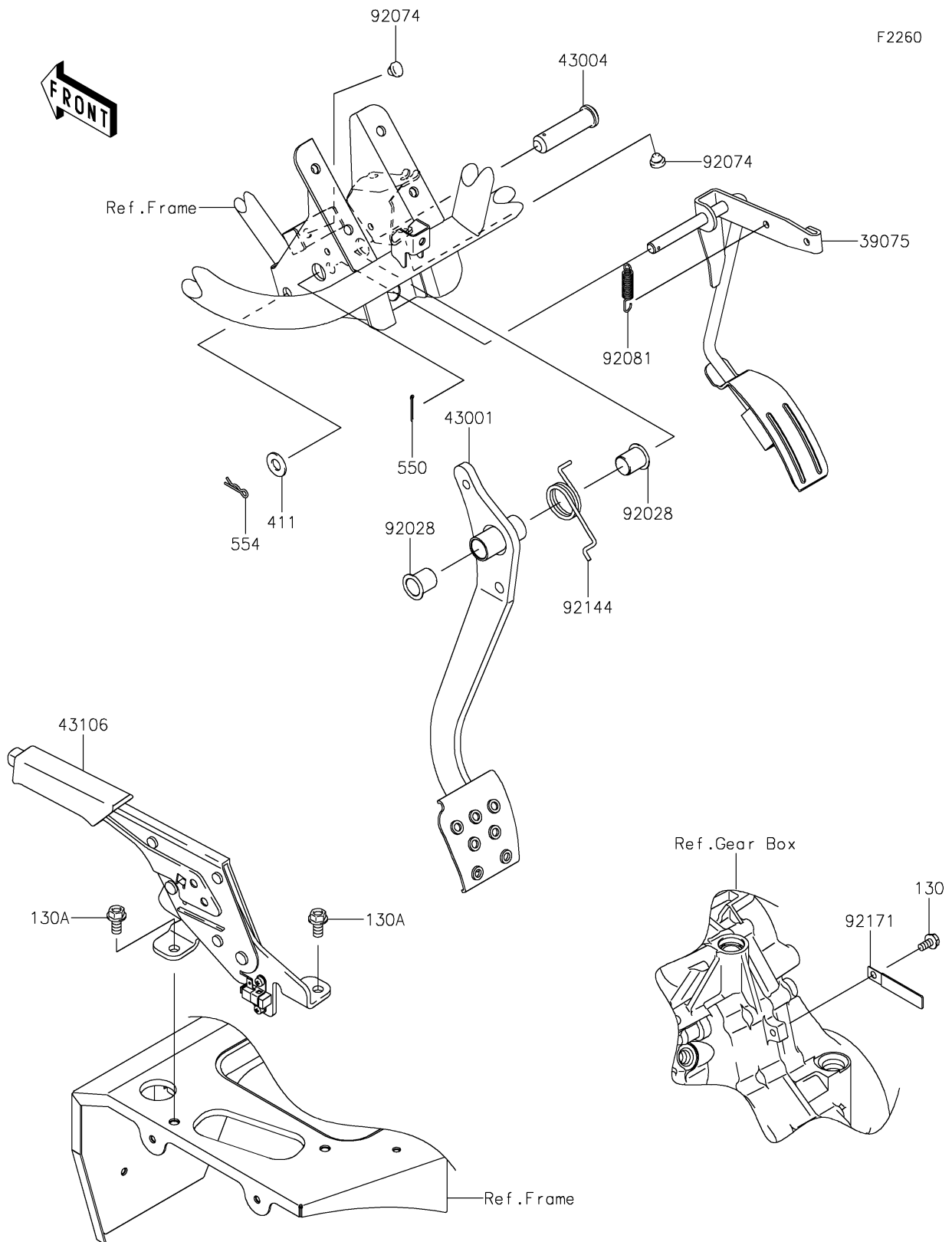


2020 MULE SX™ 4x4 XC FI

PARTS DIAGRAM

Brake Pedal/Throttle Lever



2020 MULE SX™ 4x4 XC FI

PARTS LIST

Brake Pedal/Throttle Lever

| ITEM NAME | PART NUMBER | QUANTITY |
|-----------|-------------|----------|
|-----------|-------------|----------|
