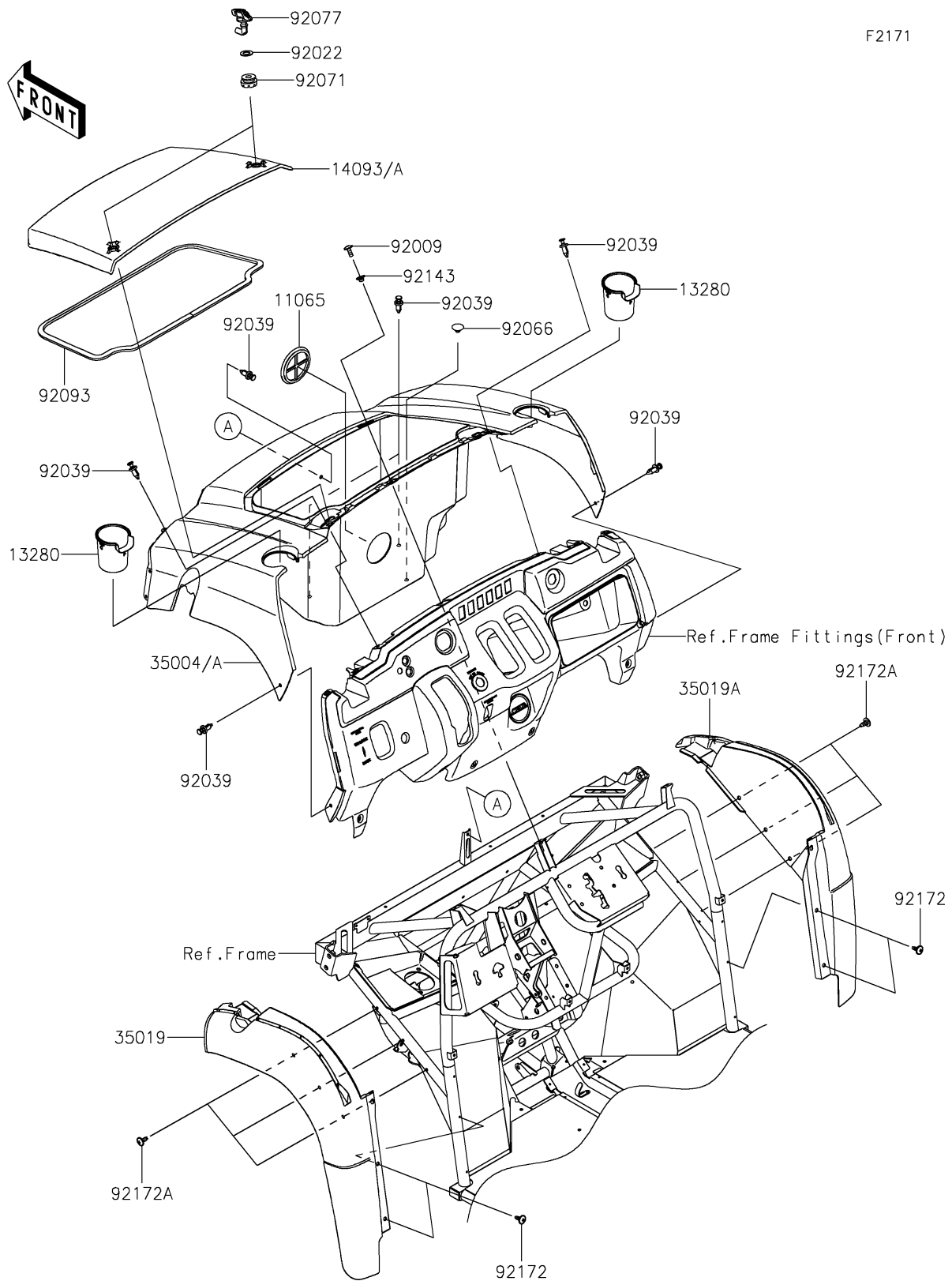


2020 MULE SX™ 4x4 XC FI

PARTS DIAGRAM

Front Fender(s)



2020 MULE SX™ 4x4 XC FI

PARTS LIST

Front Fender(s)

ITEM NAME	PART NUMBER	QUANTITY
-----------	-------------	----------
