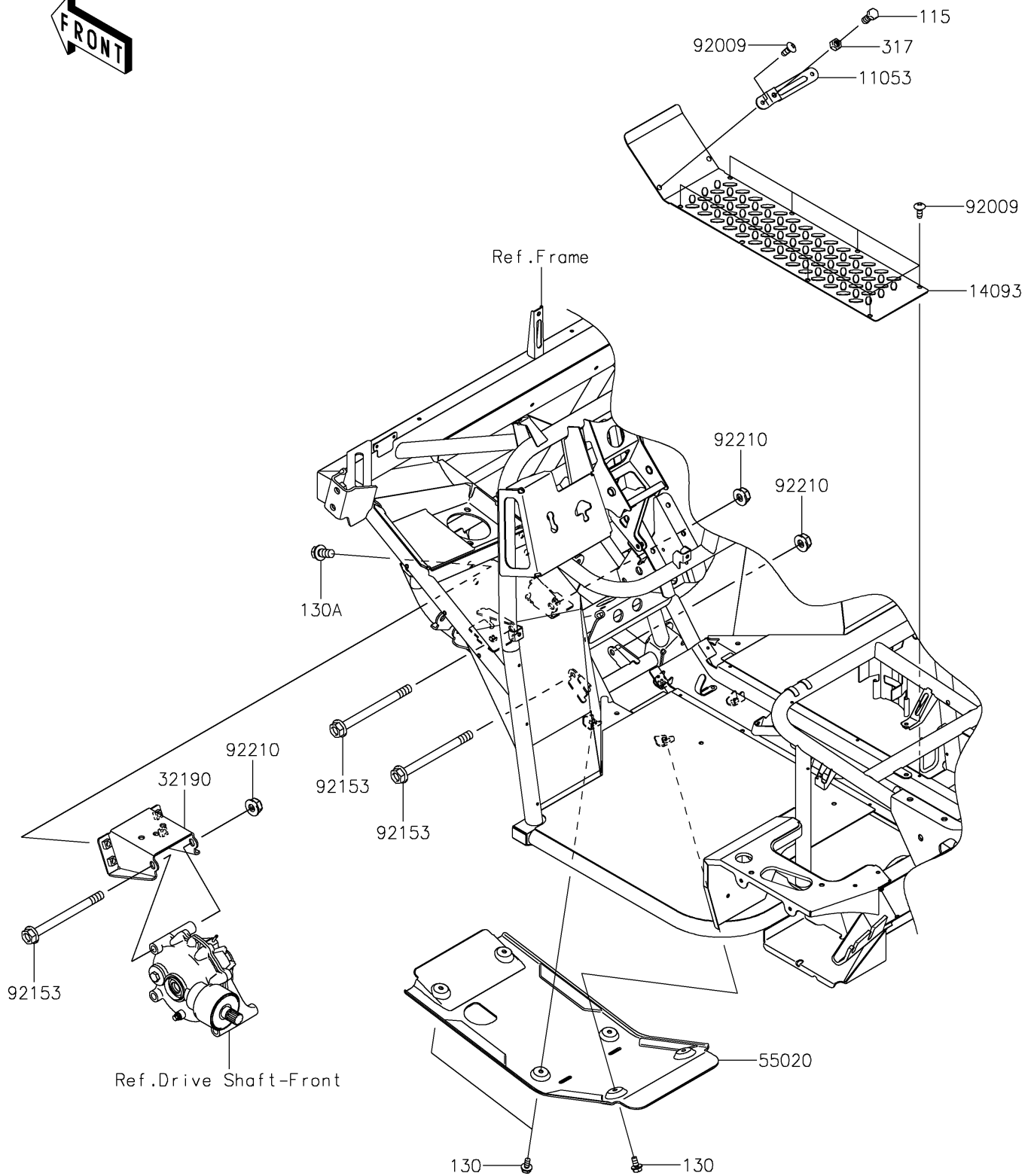


2020 MULE SX™ 4x4 XC FI

PARTS DIAGRAM

Engine Mount

F2122



2020 MULE SX™ 4x4 XC FI

PARTS LIST Engine Mount

ITEM NAME	PART NUMBER	QUANTITY
-----------	-------------	----------
