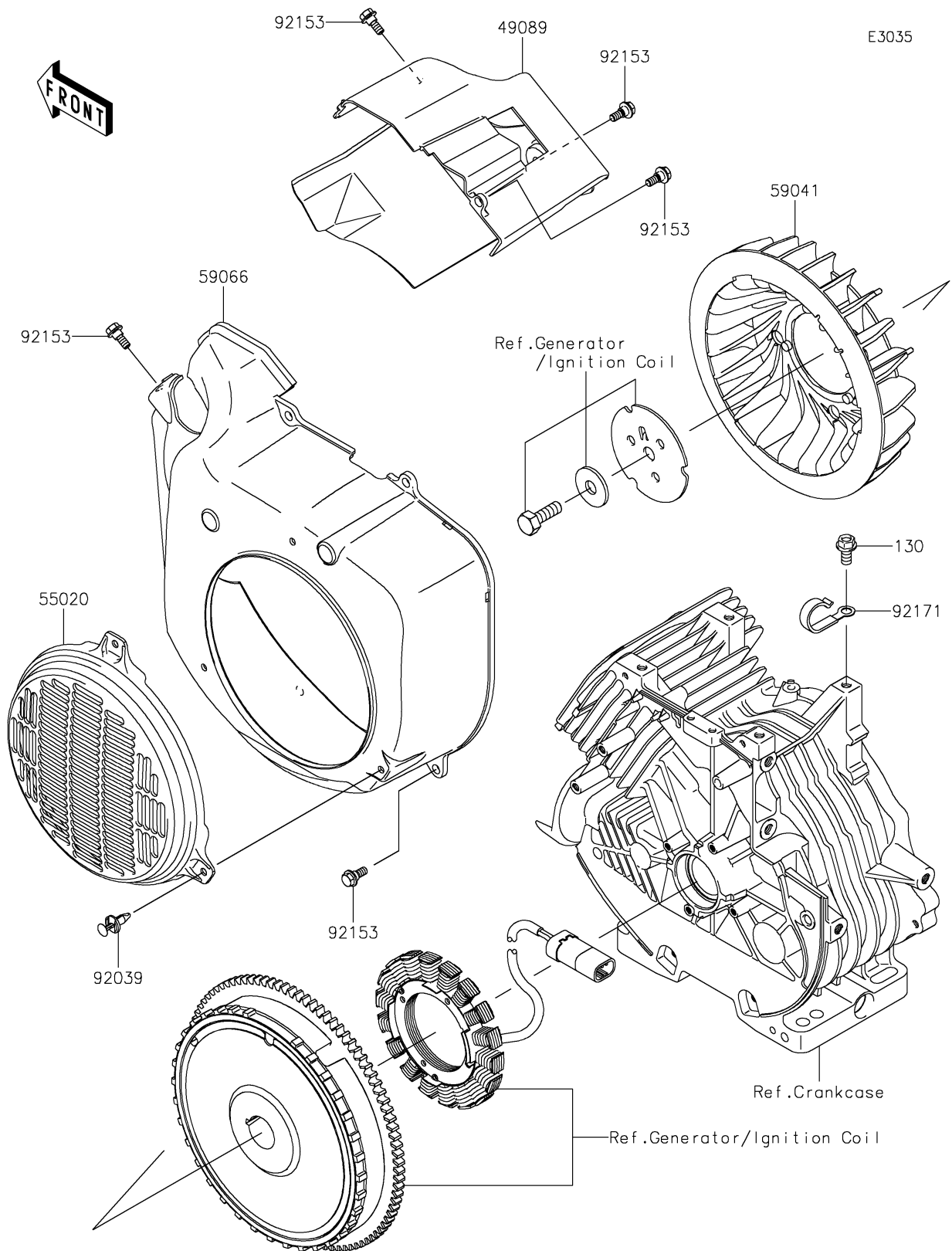


2019 MULE SX™ 4x4 XC FI

PARTS DIAGRAM

Cooling



2019 MULE SX™ 4x4 XC FI

PARTS LIST

Cooling

ITEM NAME	PART NUMBER	QUANTITY
-----------	-------------	----------
