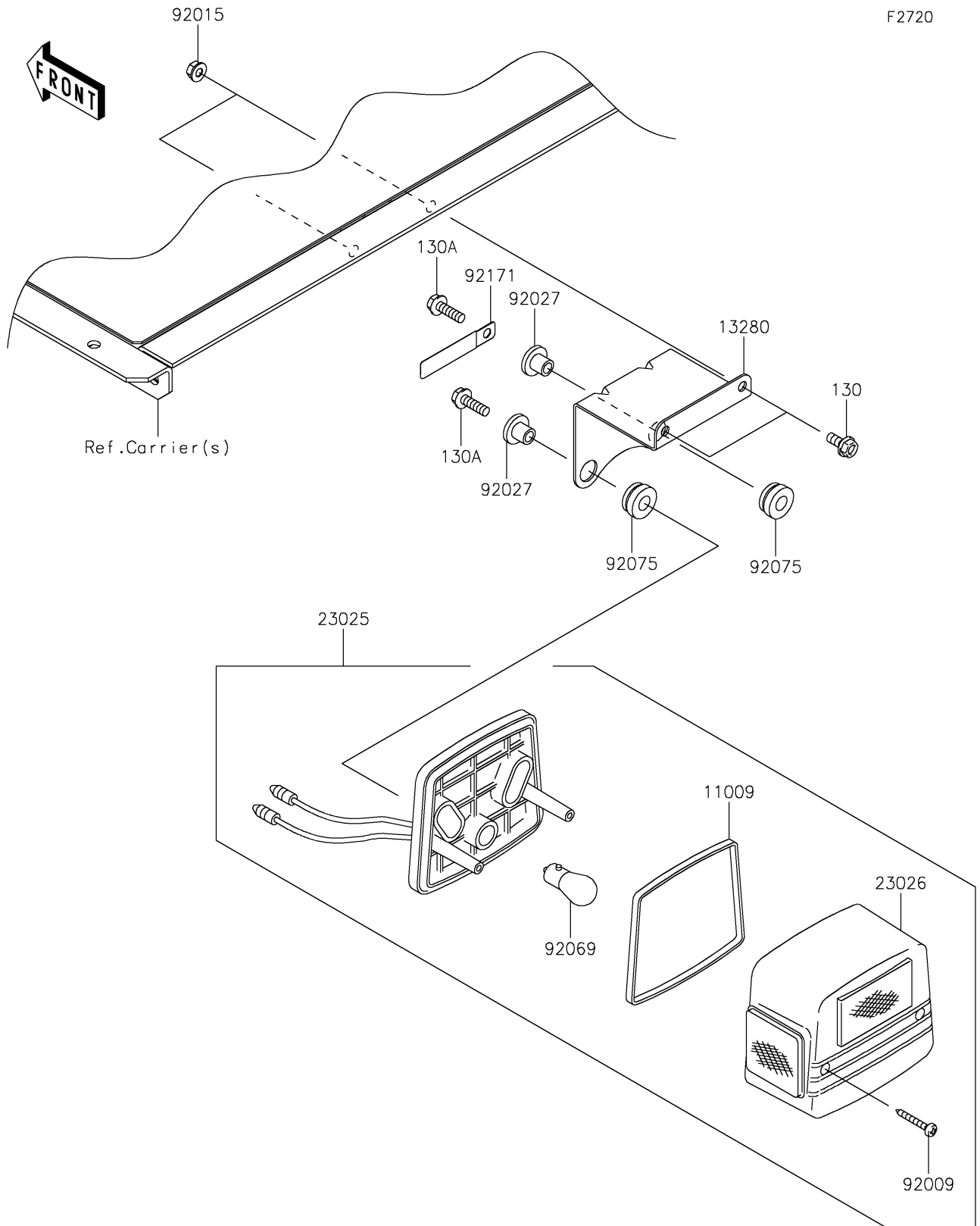


# 2020 MULE SX™ 4x4 FI

## PARTS DIAGRAM

### Taillight(s)



# 2020 MULE SX™ 4x4 FI

## PARTS LIST

Taillight(s)

**ITEM NAME**

**PART NUMBER**

**QUANTITY**

---