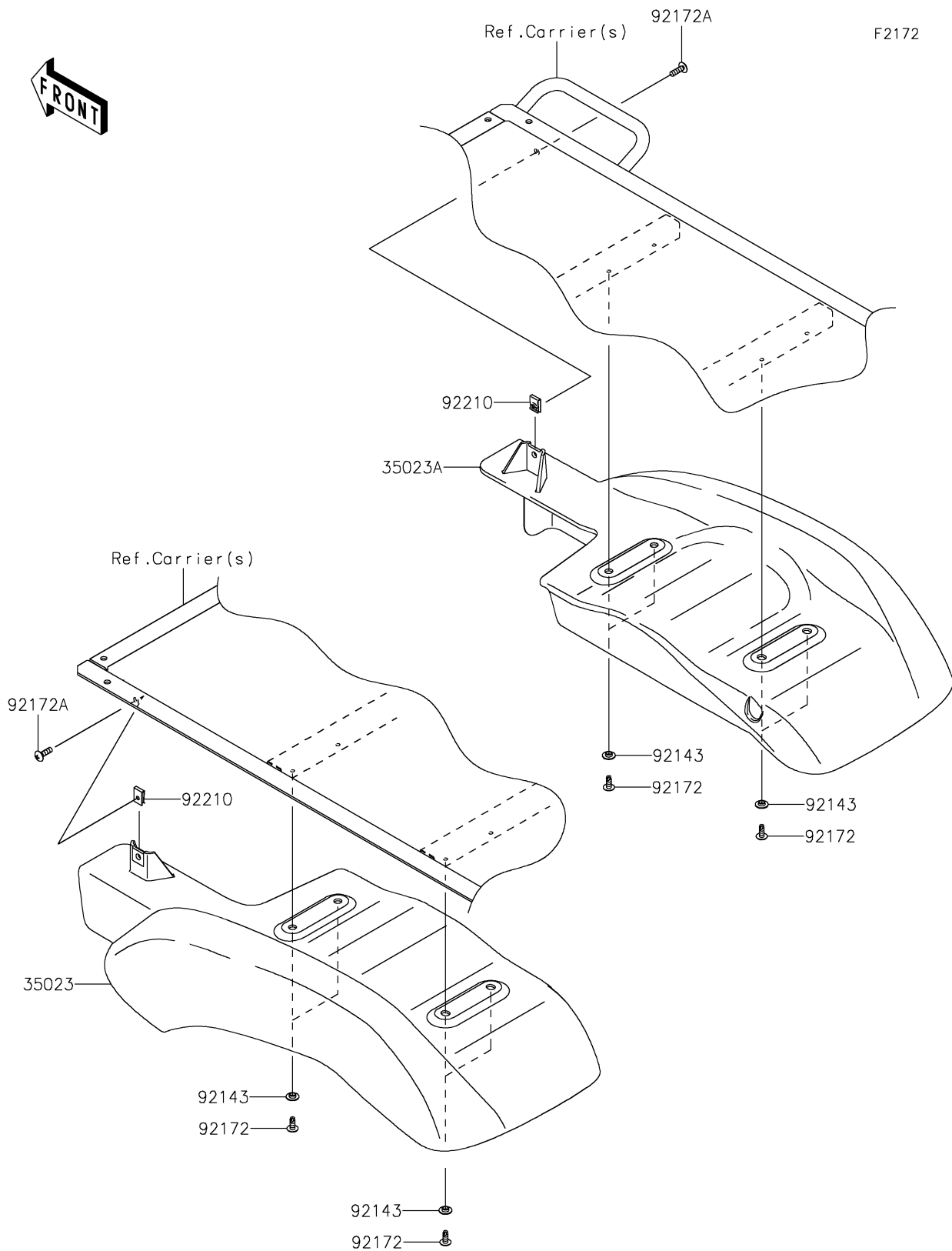


# 2019 MULE SX™ 4x4 FI

## PARTS DIAGRAM

### Rear Fender(s)



# 2019 MULE SX™ 4x4 FI

## PARTS LIST

Rear Fender(s)

**ITEM NAME**

**PART NUMBER**

**QUANTITY**

---