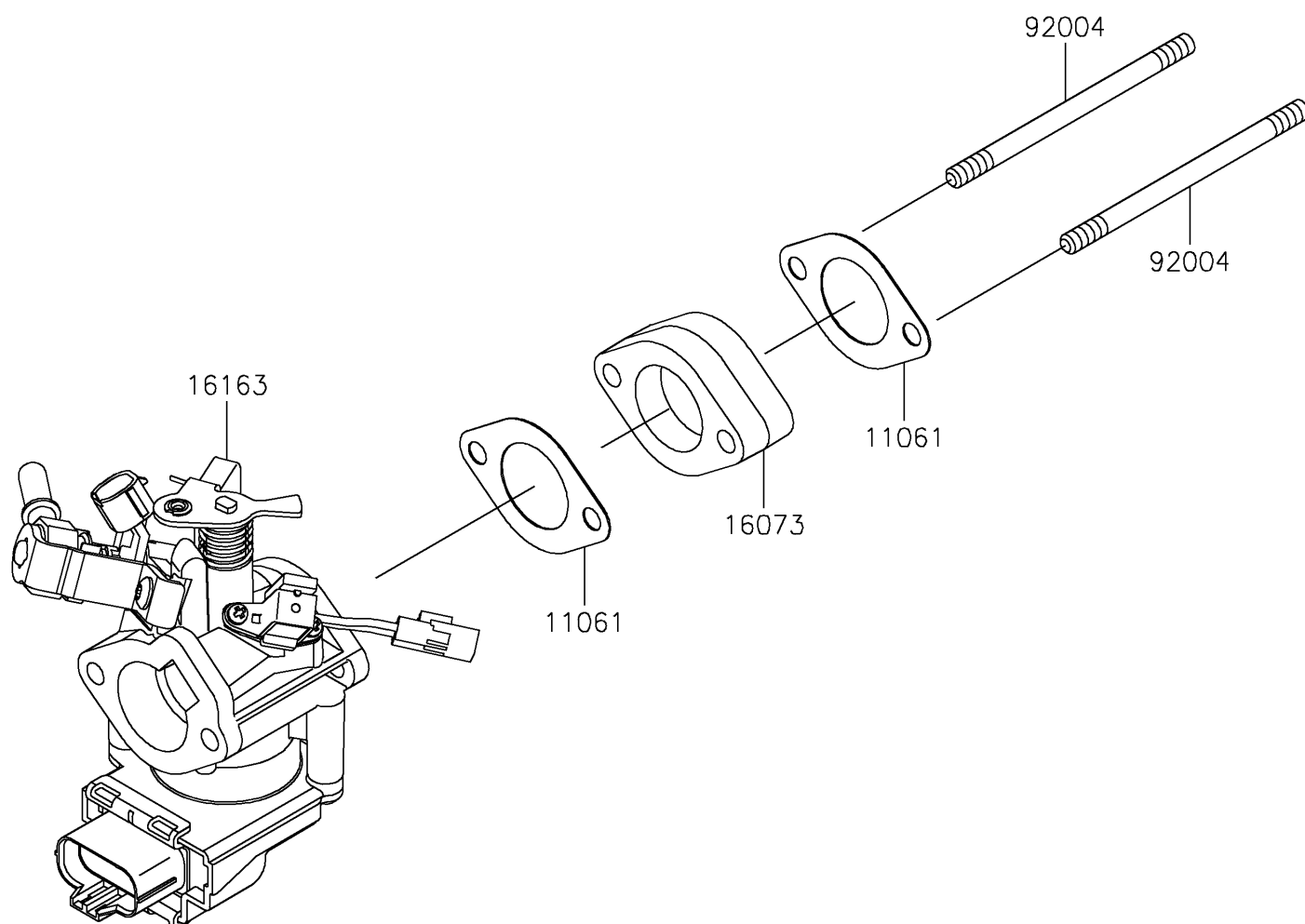


# 2019 MULE SX™ 4x4 FI

## PARTS DIAGRAM

### Throttle

E1510



# 2019 MULE SX™ 4x4 FI

## PARTS LIST

Throttle

**ITEM NAME**

**PART NUMBER**

**QUANTITY**

---