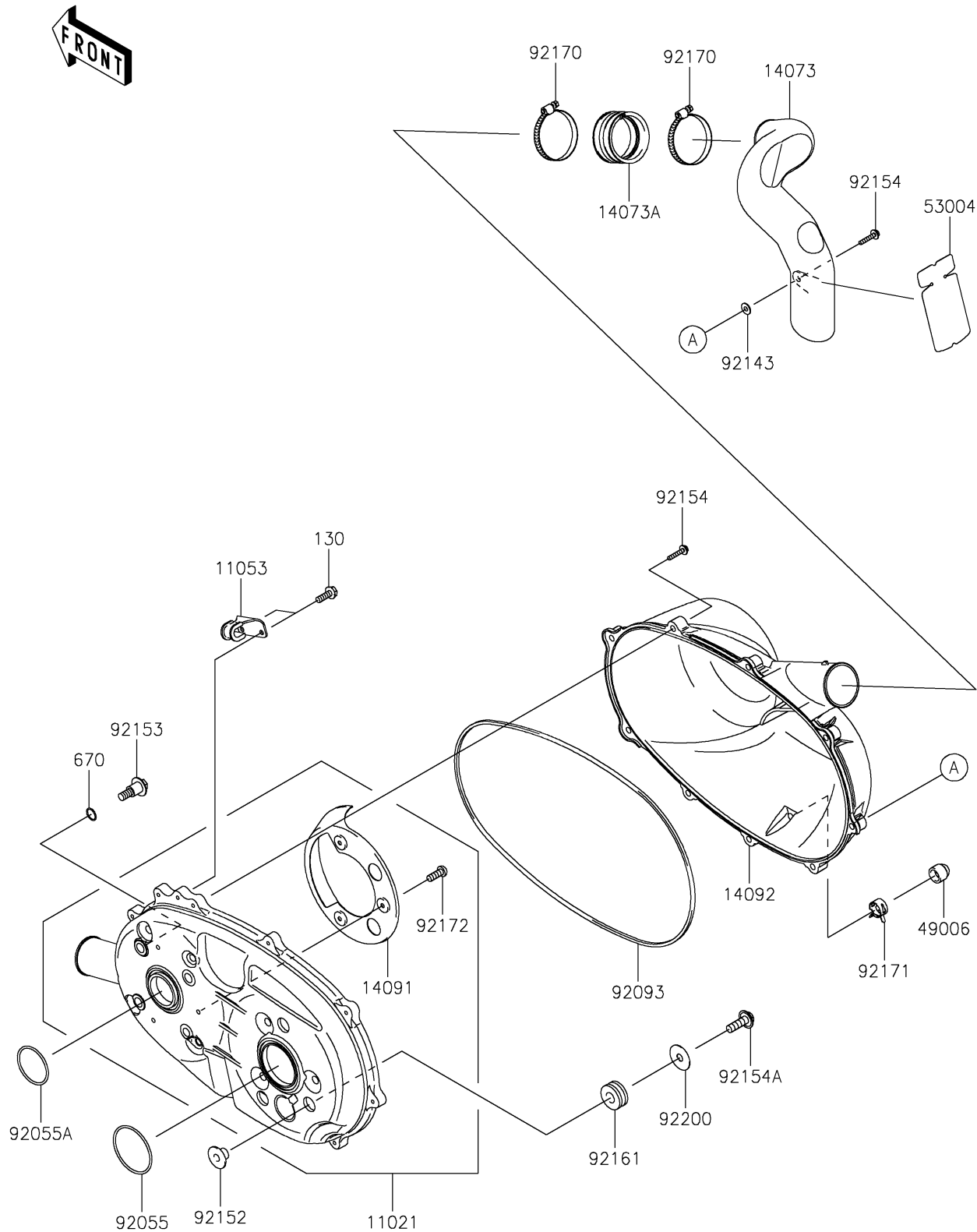


# 2019 MULE SX™ 4x4 FI

## PARTS DIAGRAM

### Converter Cover

E1393



# 2019 MULE SX™ 4x4 FI

## PARTS LIST

### Converter Cover

**ITEM NAME**

**PART NUMBER**

**QUANTITY**

---