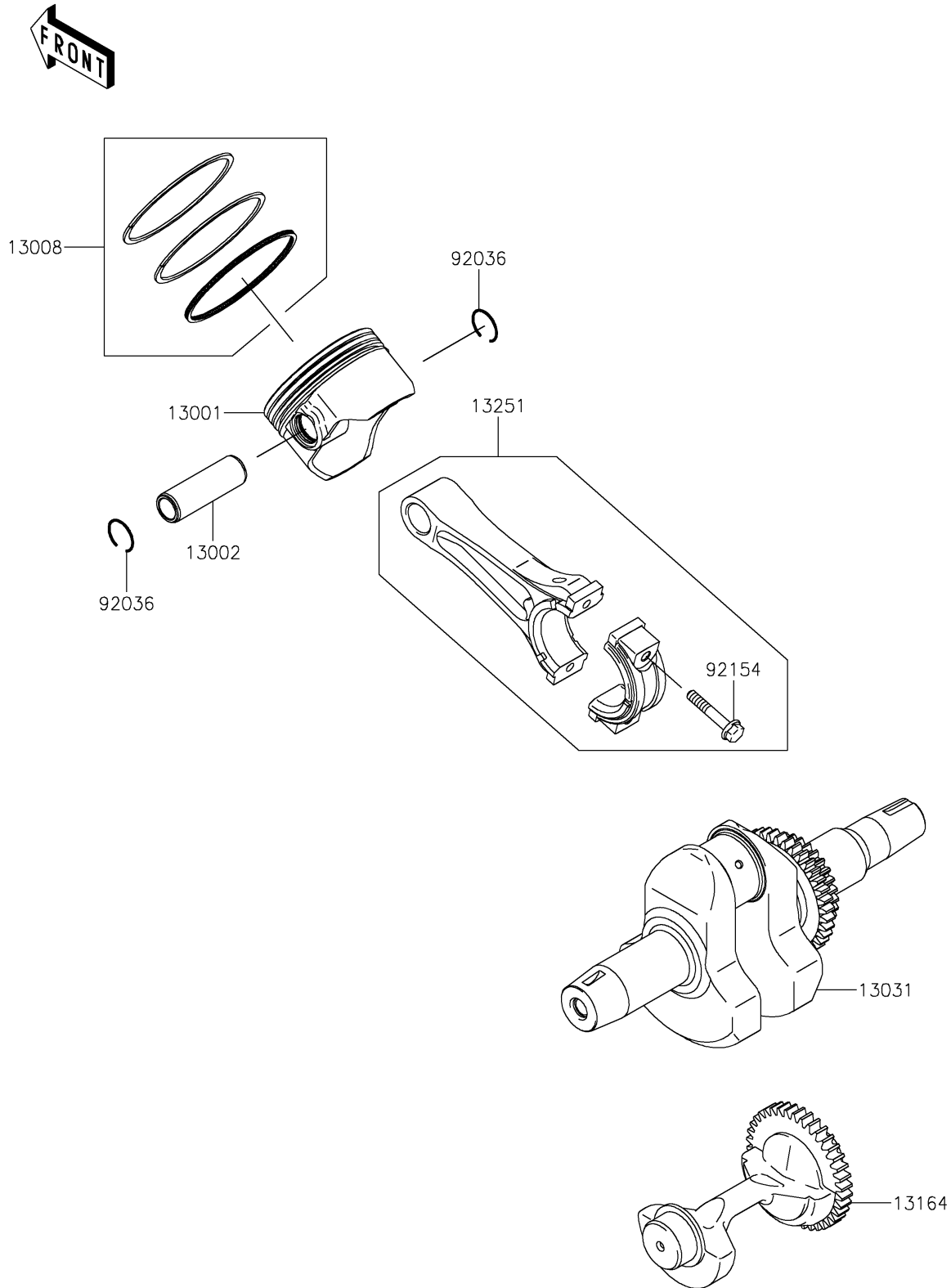


# 2020 MULE SX™ 4x4 FI

## PARTS DIAGRAM Crankshaft/Piston(s)

E1320



# 2020 MULE SX™ 4x4 FI

## PARTS LIST

### Crankshaft/Piston(s)

**ITEM NAME**

**PART NUMBER**

**QUANTITY**

---