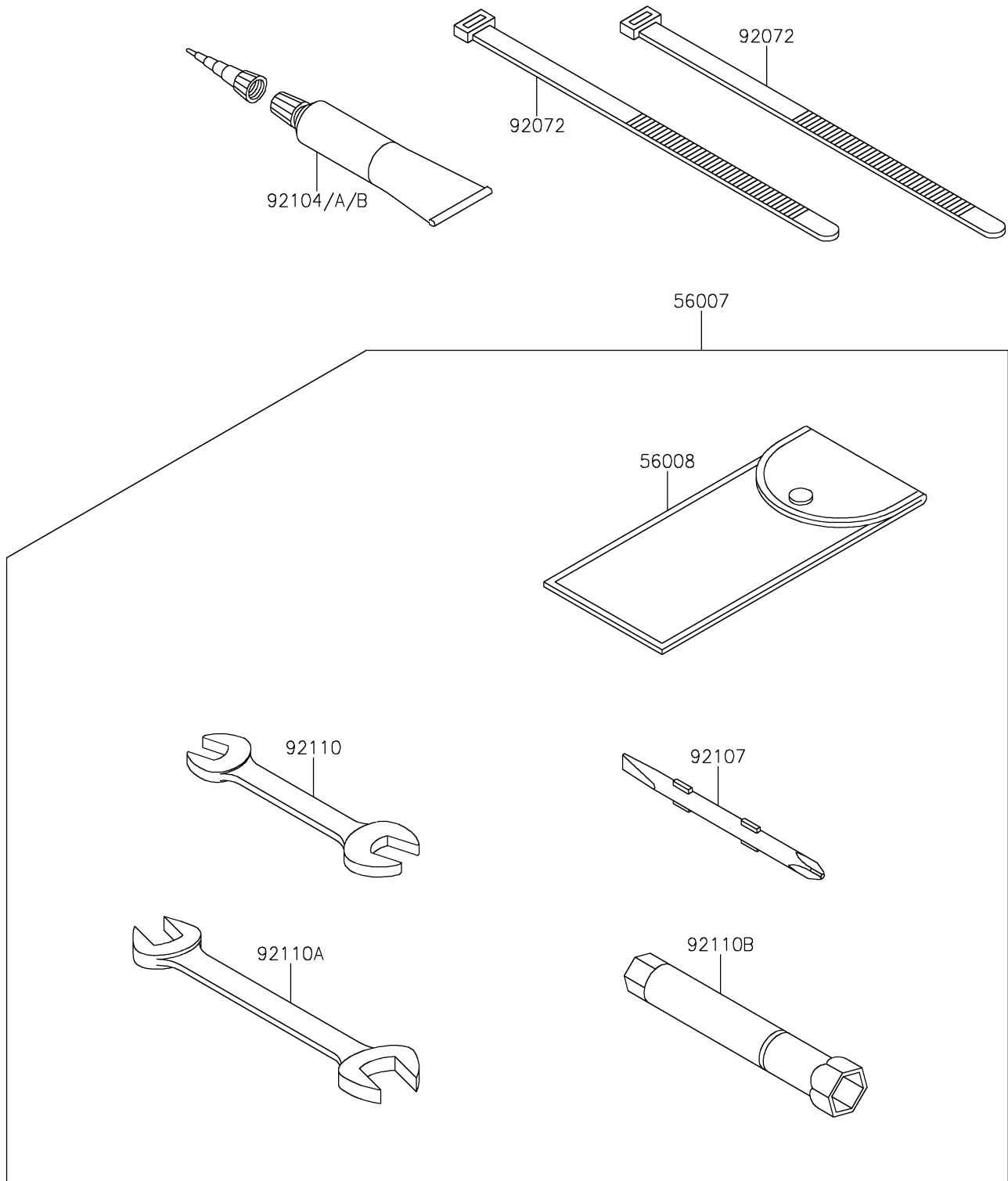


# 2024 JET SKI® ULTRA® 310X

## PARTS DIAGRAM

### Owner's Tools

F3182



# 2024 JET SKI® ULTRA® 310X

## PARTS LIST Owner's Tools



ITEM NAME	PART NUMBER	QUANTITY
-----------	-------------	----------

---