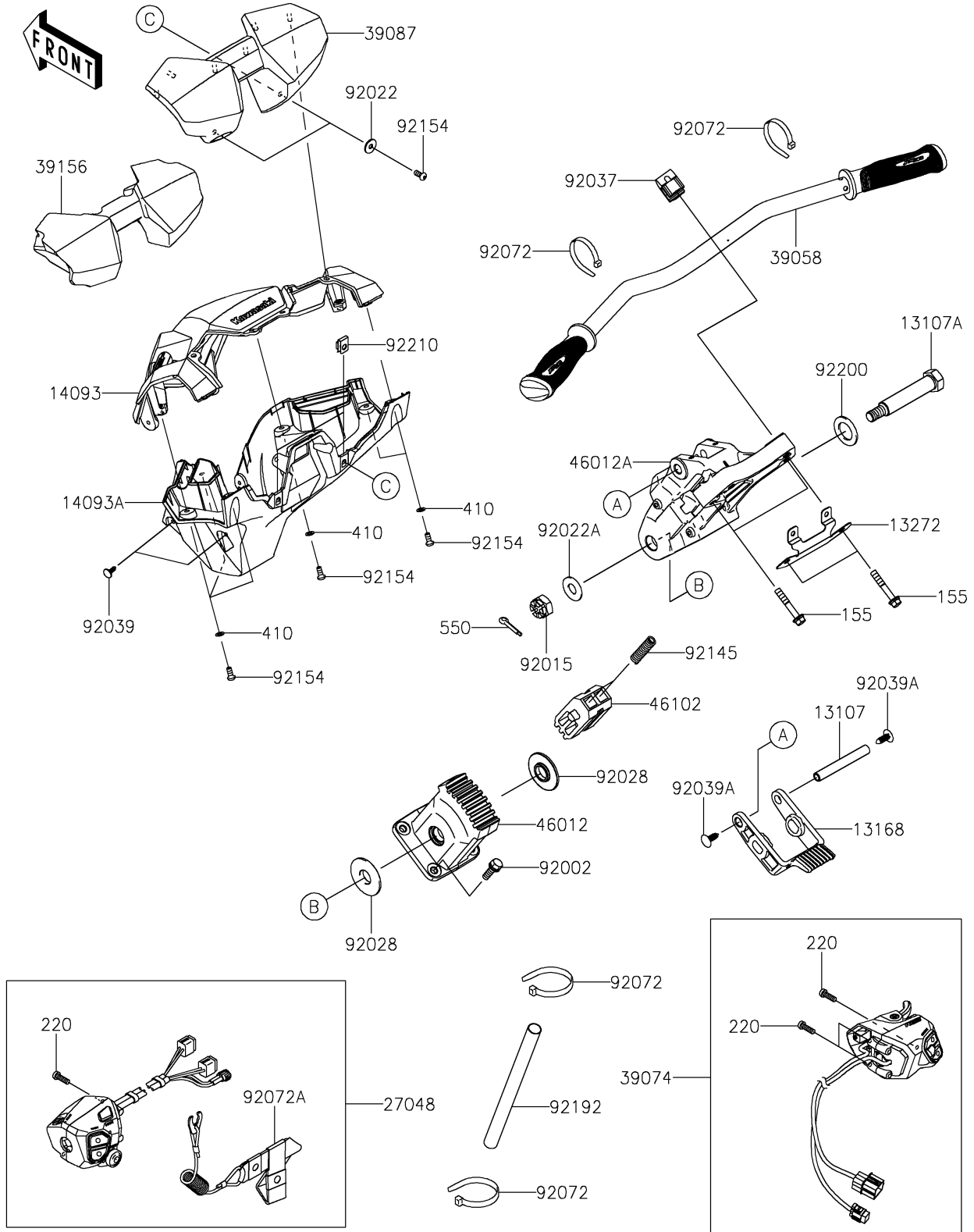


2025 Ultra310X

PARTS DIAGRAM

Handlebar

F3172



2025 Ultra310X

PARTS LIST

Handlebar

ITEM NAME	PART NUMBER	QUANTITY
SHAFT (Ref # 13107)	13107-3795	1
SHAFT,HANDLE HOLDER PIVOT (Ref # 13107A)	13107-3803	1
LEVER (Ref # 13168)	13168-3754	1
PLATE (Ref # 13272)	13272-3972	1
COVER,HANDLE,FR (Ref # 14093)	14093-1176	1
COVER,HANDLE,RR (Ref # 14093A)	14093-1177	1
SWITCH-ASSY,STOP&START (Ref # 27048)	27048-0054	1
HANDLE-COMP,BLACK (Ref # 39058)	39058-0044-6Z	1
LEVER-ASSY-THROTTLE (Ref # 39074)	39074-0014	1
PAD-HANDLE,GRAY (Ref # 39087)	39087-0016-66L	1
PAD (Ref # 39156)	39156-2768	1
HOLDER-HANDLE,LWR (Ref # 46012)	46012-3730	1
HOLDER-HANDLE,UPP (Ref # 46012A)	46012-3733	1
ROD,HANDLE POSITION (Ref # 46102)	46102-3733	1
BOLT,8X25 (Ref # 92002)	92002-3774	4
NUT,CASTLE,14MM (Ref # 92015)	92015-3805	1
WASHER,6.5X20X1.5 (Ref # 92022)	92022-3710	2
WASHER,15X34X2.0 (Ref # 92022A)	92022-3738	1
BUSHING (Ref # 92028)	92028-3743	2
CLAMP,HANDLEBAR (Ref # 92037)	92037-503	2
RIVET (Ref # 92039)	92039-3787	4
RIVET (Ref # 92039A)	92039-3788	2
BAND,L=188.85 (Ref # 92072)	92072-0105	4
BAND,TETHER SWITCH (Ref # 92072A)	92072-0891	1
SPRING (Ref # 92145)	92145-3723	2
BOLT,SOCKET,6X14 (Ref # 92154)	92154-3988	8
TUBE,35X37X200 (Ref # 92192)	92192-1990	1
WASHER,21X34X2 (Ref # 92200)	92200-3802	1
NUT,6MM (Ref # 92210)	92210-3768	2

2025 Ultra310X

PARTS LIST

Handlebar

ITEM NAME	PART NUMBER	QUANTITY
BOLT-WSP-SMALL,8X50 (Ref # 155)	155R0850	4
SCREW-PAN-CROS,5X30 (Ref # 220)	220R0530	6
WASHER-PLAIN-SMALL,6MM (Ref # 410)	410S0600	6
PIN-COTTER,3X35 (Ref # 550)	550S3035	1