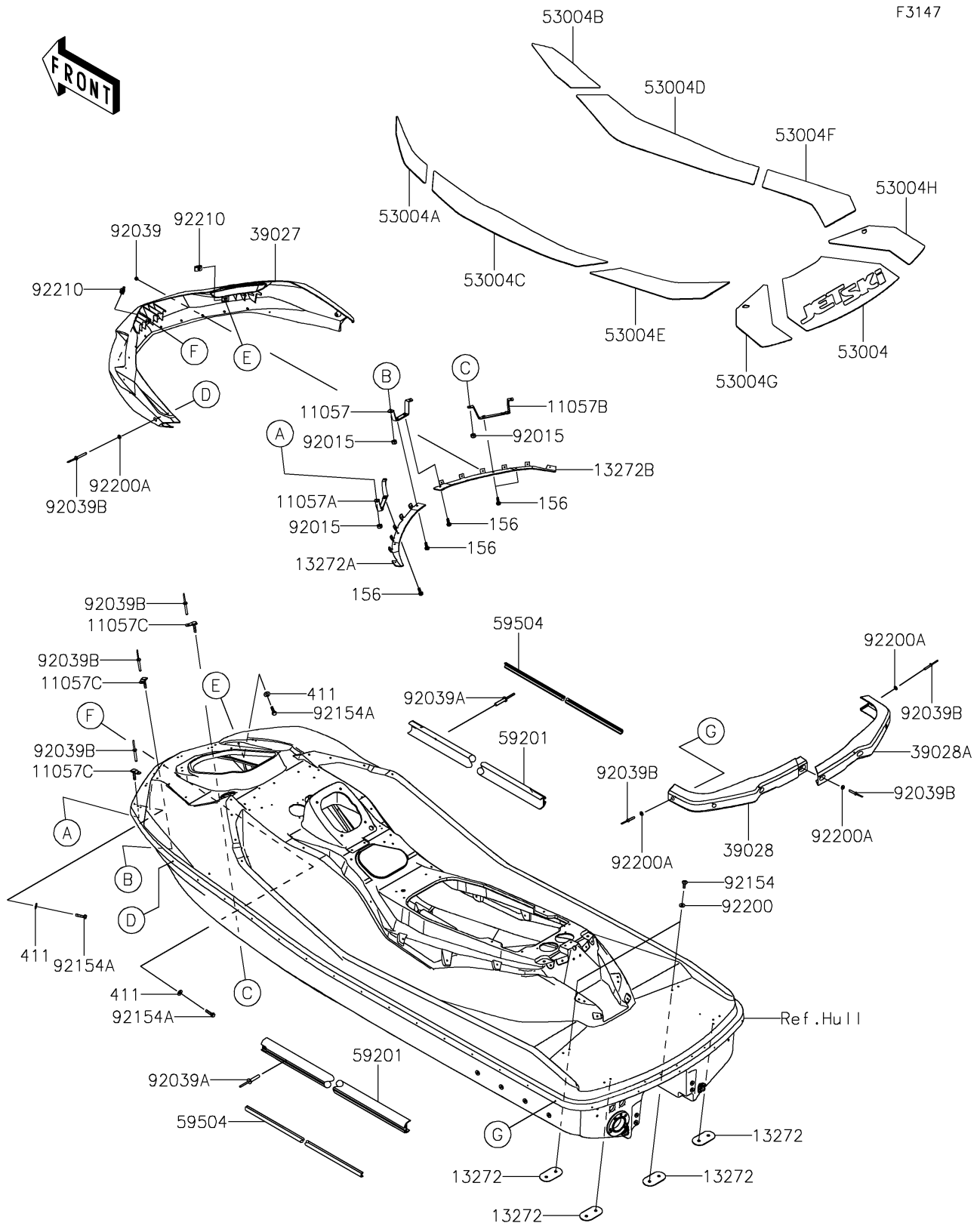


# 2025 Ultra310X

## PARTS DIAGRAM

### Pads



# 2025 Ultra310X

## PARTS LIST

### Pads

**ITEM NAME**

**PART NUMBER**

**QUANTITY**

---