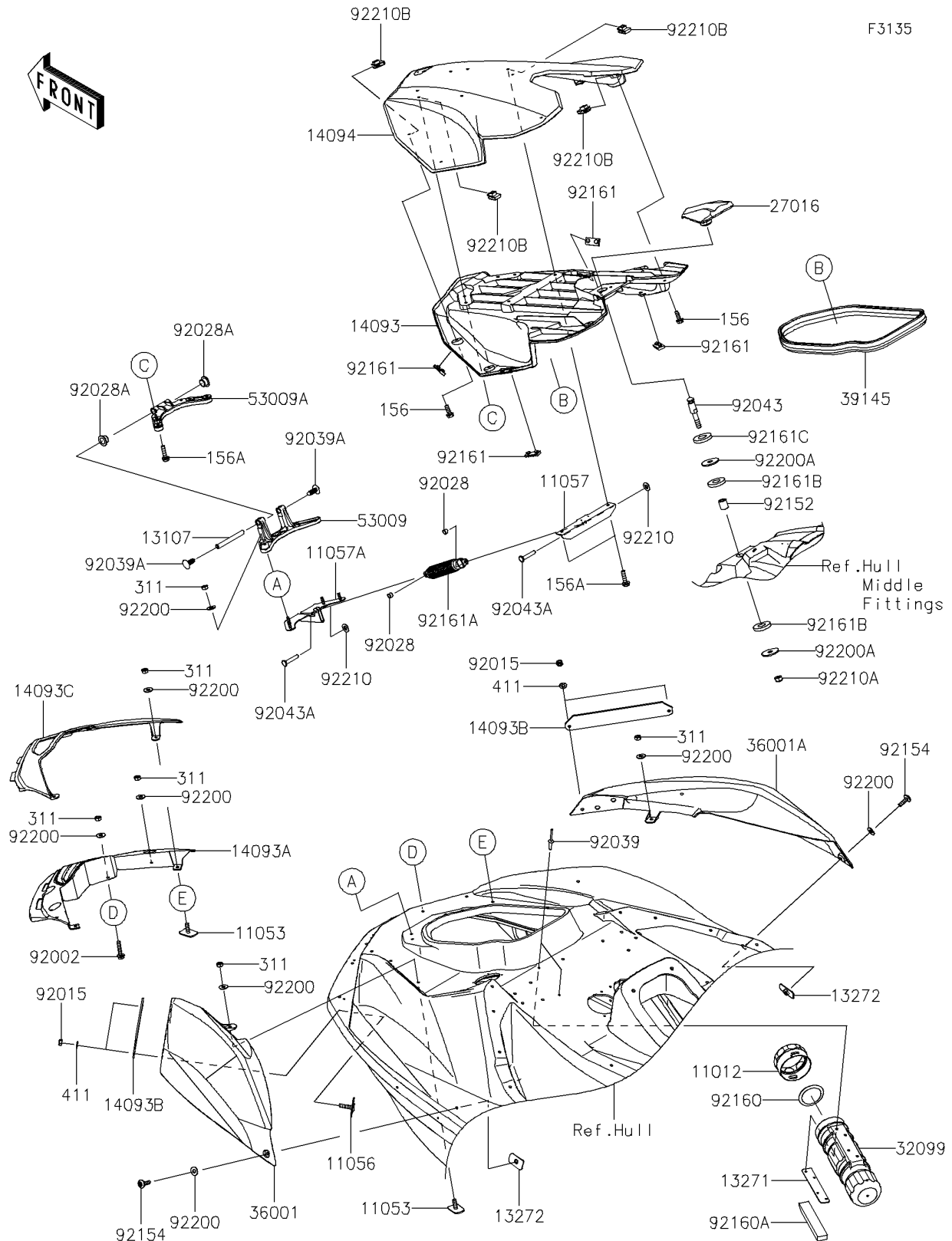


2025 Ultra310X

PARTS DIAGRAM

Hull Front Fittings



2025 Ultra310X

PARTS LIST

Hull Front Fittings

ITEM NAME	PART NUMBER	QUANTITY
CAP,FIRE EXTINGUISHER (Ref # 11012)	11012-3766	1
BRACKET (Ref # 11053)	11053-3776	6
BRACKET (Ref # 11056)	11056-3724	4
BRACKET (Ref # 11057)	11057-7383	1
BRACKET (Ref # 11057A)	11057-7389	1
SHAFT,FRONT HINGE (Ref # 13107)	13107-3802	1
PLATE,FIRE EXTINGUISHER (Ref # 13271)	13271-3775	1
PLATE (Ref # 13272)	13272-3861	2
COVER,FR HATCH,IN (Ref # 14093)	14093-1167	1
COVER,FR,TOP,INNER (Ref # 14093A)	14093-1170	1
COVER (Ref # 14093B)	14093-1213	2
COVER,FR,TOP,N.YELLOW (Ref # 14093C)	14093-1288-66V	1
COVER,FR HATCH,N.RED (Ref # 14094)	14094-0267-72A	1
LOCK-ASSY,HATCH (Ref # 27016)	27016-0101	1
CASE,FIRE EXTINGUISHER (Ref # 32099)	32099-3769	1
COVER-SIDE,FR,LH,S.BLACK (Ref # 36001)	36001-0747-839	1
COVER-SIDE,FR,RH,S.BLACK (Ref # 36001A)	36001-0748-839	1
TRIM-SEAL,FR HATCH,IN (Ref # 39145)	39145-0776	1
HINGE,DECK SIDE (Ref # 53009)	53009-0306	1
HINGE,HATCH SIDE (Ref # 53009A)	53009-0307	1
BOLT,6X30 (Ref # 92002)	92002-3726	2
NUT,LOCK,6MM (Ref # 92015)	92015-3766	4
BUSHING (Ref # 92028)	92028-3765	2
BUSHING (Ref # 92028A)	92028-3770	2
RIVET (Ref # 92039)	92039-3783	2
RIVET (Ref # 92039A)	92039-3788	2
PIN (Ref # 92043)	92043-0754	1
PIN,6X33 (Ref # 92043A)	92043-3748	2
COLLAR,8.2X14X16.2 (Ref # 92152)	92152-0979	1

2025 Ultra310X

PARTS LIST

Hull Front Fittings

ITEM NAME	PART NUMBER	QUANTITY
BOLT,SOCKET,6X20 (Ref # 92154)	92154-0918	2
DAMPER (Ref # 92160)	92160-3814	1
DAMPER (Ref # 92160A)	92160-3821	1
DAMPER,SEAT (Ref # 92161)	92161-1489	4
DAMPER,HATCH (Ref # 92161A)	92161-1581	1
DAMPER (Ref # 92161B)	92161-3739	2
DAMPER (Ref # 92161C)	92161-3747	1
WASHER,6.5X16X1.0 (Ref # 92200)	92200-3712	14
WASHER,8.5X32X2 (Ref # 92200A)	92200-3786	2
NUT,SPEED,6MM (Ref # 92210)	92210-3739	2
NUT,LOCK,8MM (Ref # 92210A)	92210-3742	1
NUT,6MM (Ref # 92210B)	92210-3768	12
BOLT-WP,6X18 (Ref # 156)	156R0618	6
BOLT-WP,6X25 (Ref # 156A)	156R0625	6
NUT-HEX,6MM (Ref # 311)	311R0600	12
WASHER-PLAIN,6MM (Ref # 411)	411S0600	4