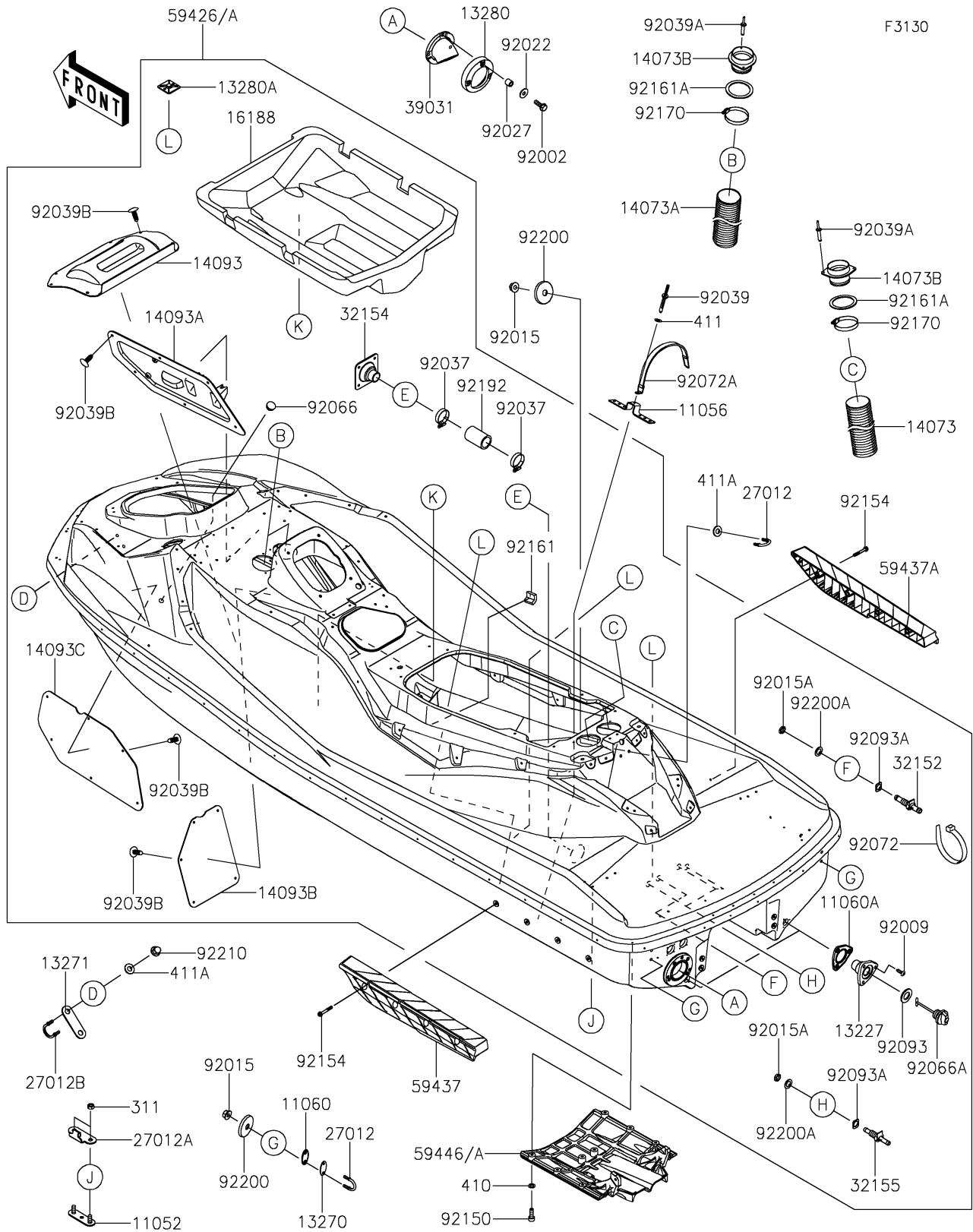


2024 JET SKI® ULTRA® 310X

PARTS DIAGRAM

Hull



2024 JET SKI® ULTRA® 310X

PARTS LIST

Hull



| ITEM NAME | PART NUMBER | QUANTITY |
|-----------|-------------|----------|
|-----------|-------------|----------|
