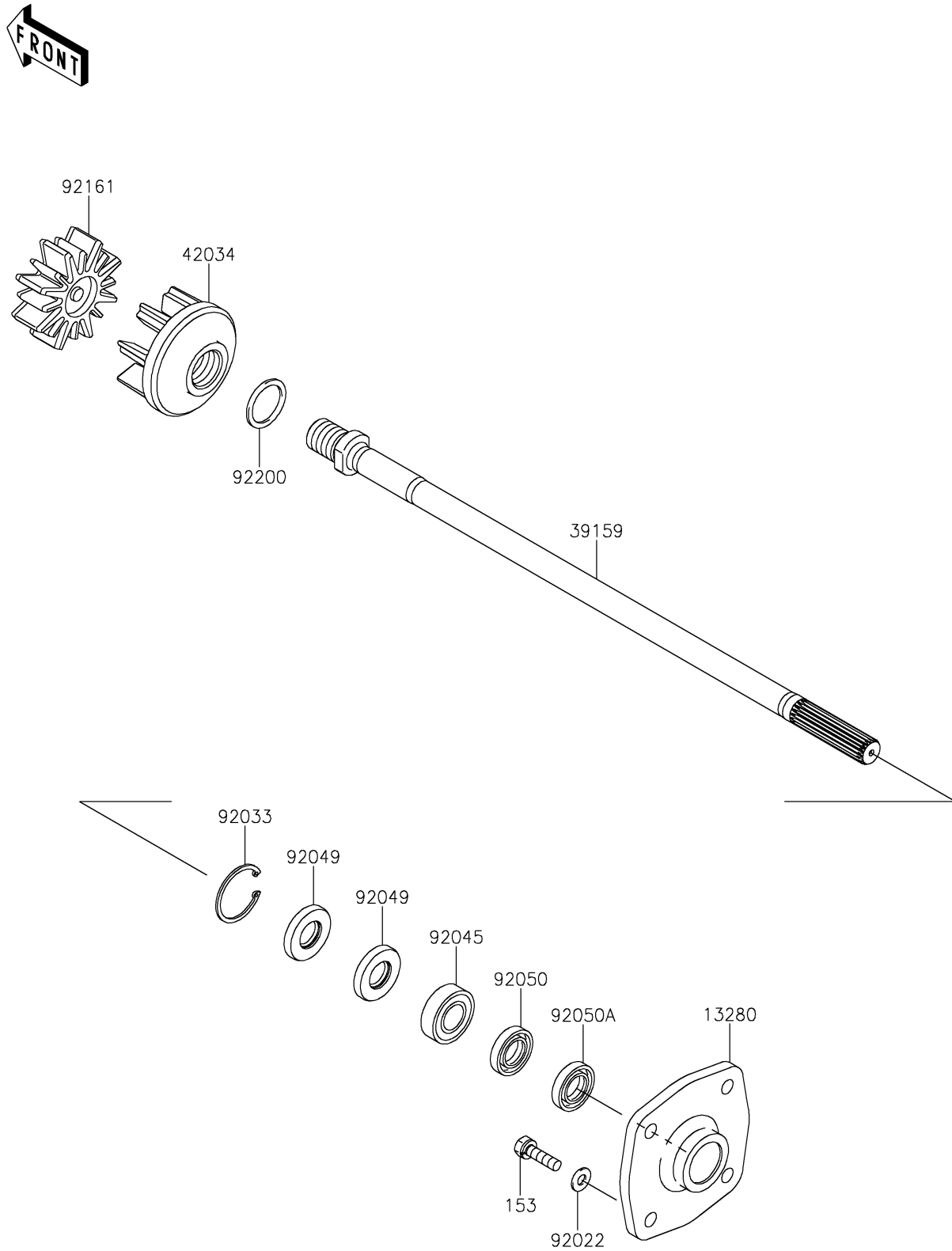


# 2024 JET SKI® ULTRA® 310X

## PARTS DIAGRAM

### Drive Shaft

E3134



# 2024 JET SKI® ULTRA® 310X

## PARTS LIST

### Drive Shaft



ITEM NAME	PART NUMBER	QUANTITY
-----------	-------------	----------

---