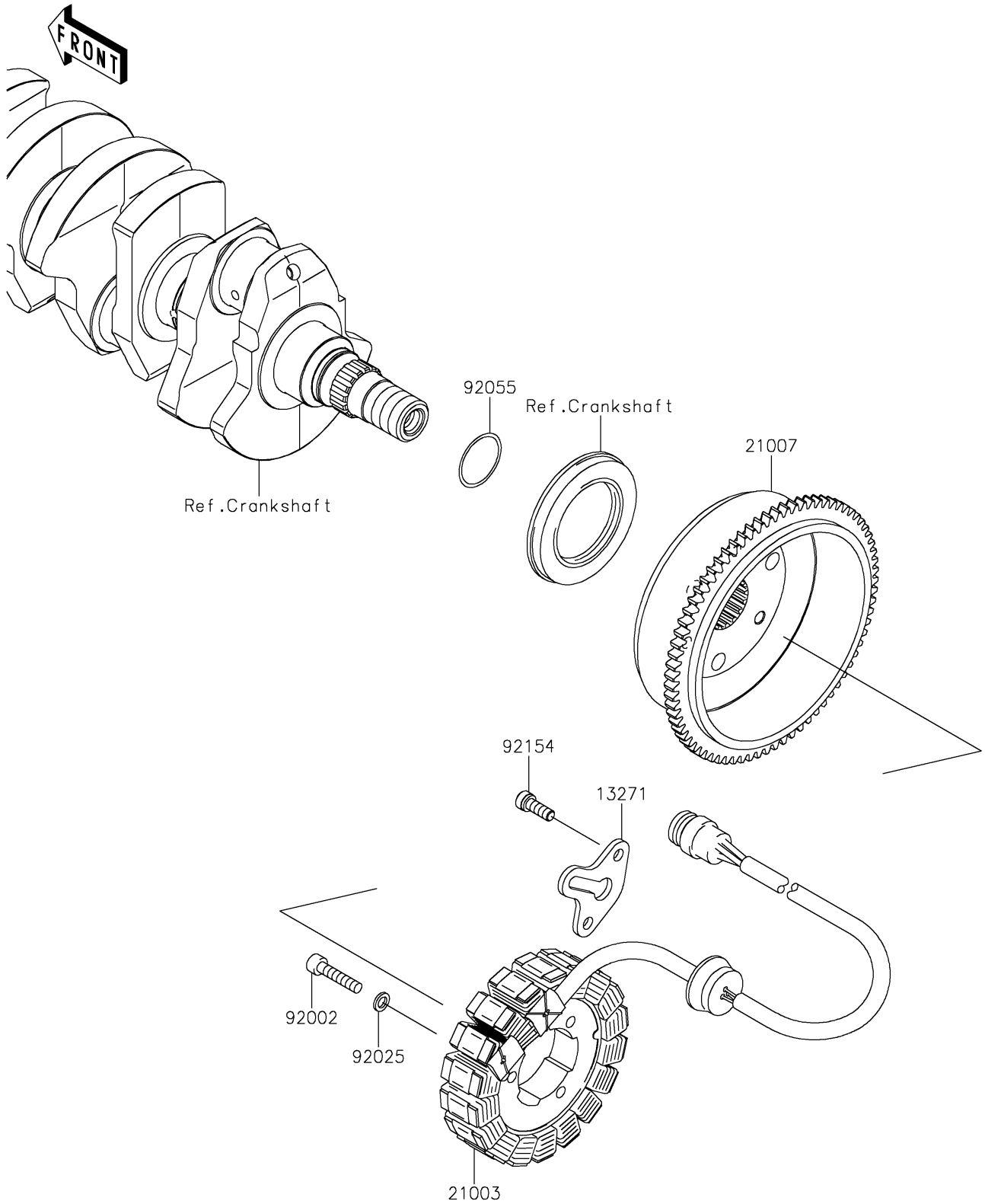


# 2024 JET SKI® ULTRA® 310X

## PARTS DIAGRAM

### Generator

E1810



# 2024 JET SKI® ULTRA® 310X

## PARTS LIST

### Generator



ITEM NAME	PART NUMBER	QUANTITY
-----------	-------------	----------

---