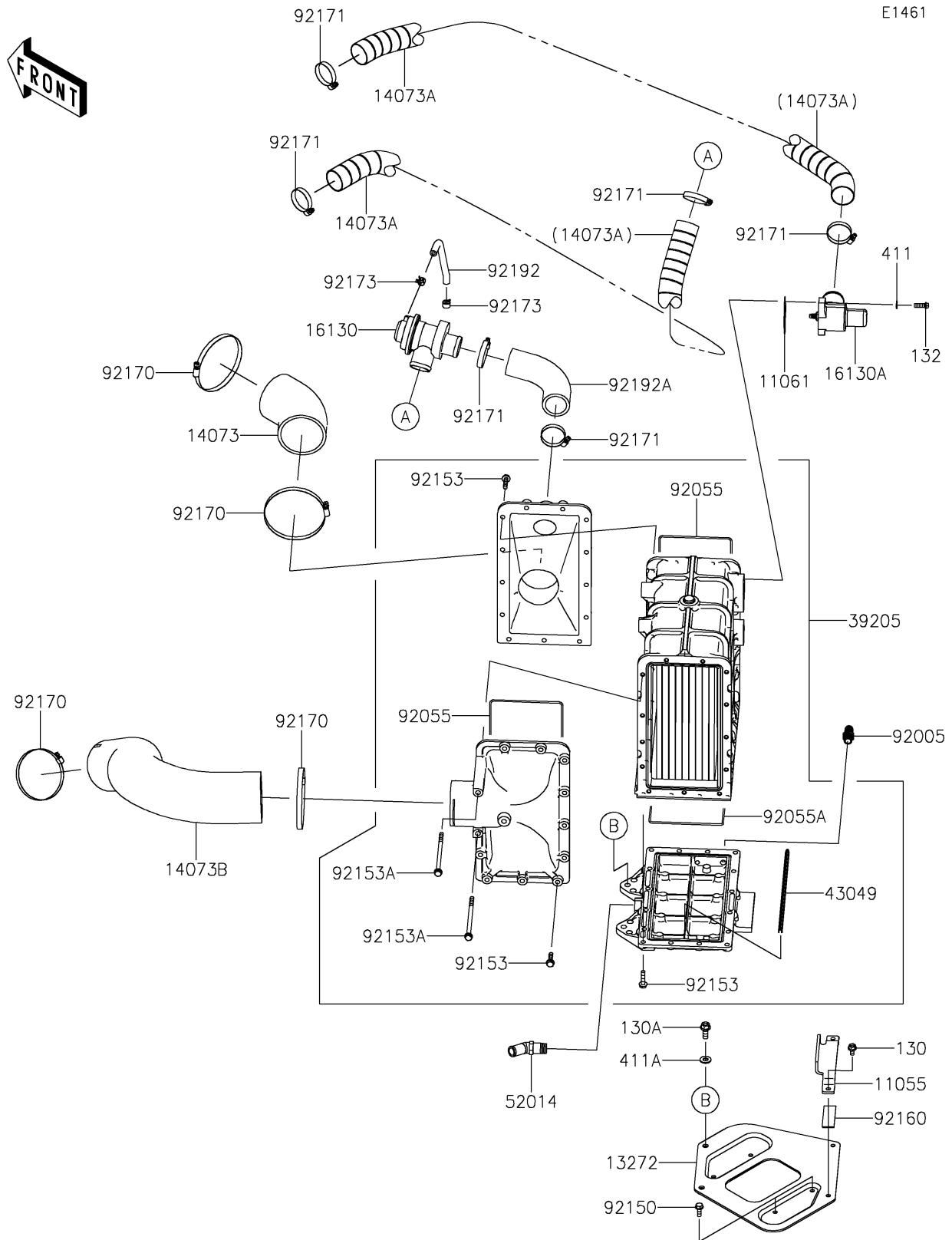


# 2024 JET SKI® ULTRA® 310X

## PARTS DIAGRAM

### Inter Cooler



# 2024 JET SKI® ULTRA® 310X

## PARTS LIST

Inter Cooler



ITEM NAME	PART NUMBER	QUANTITY
-----------	-------------	----------

---