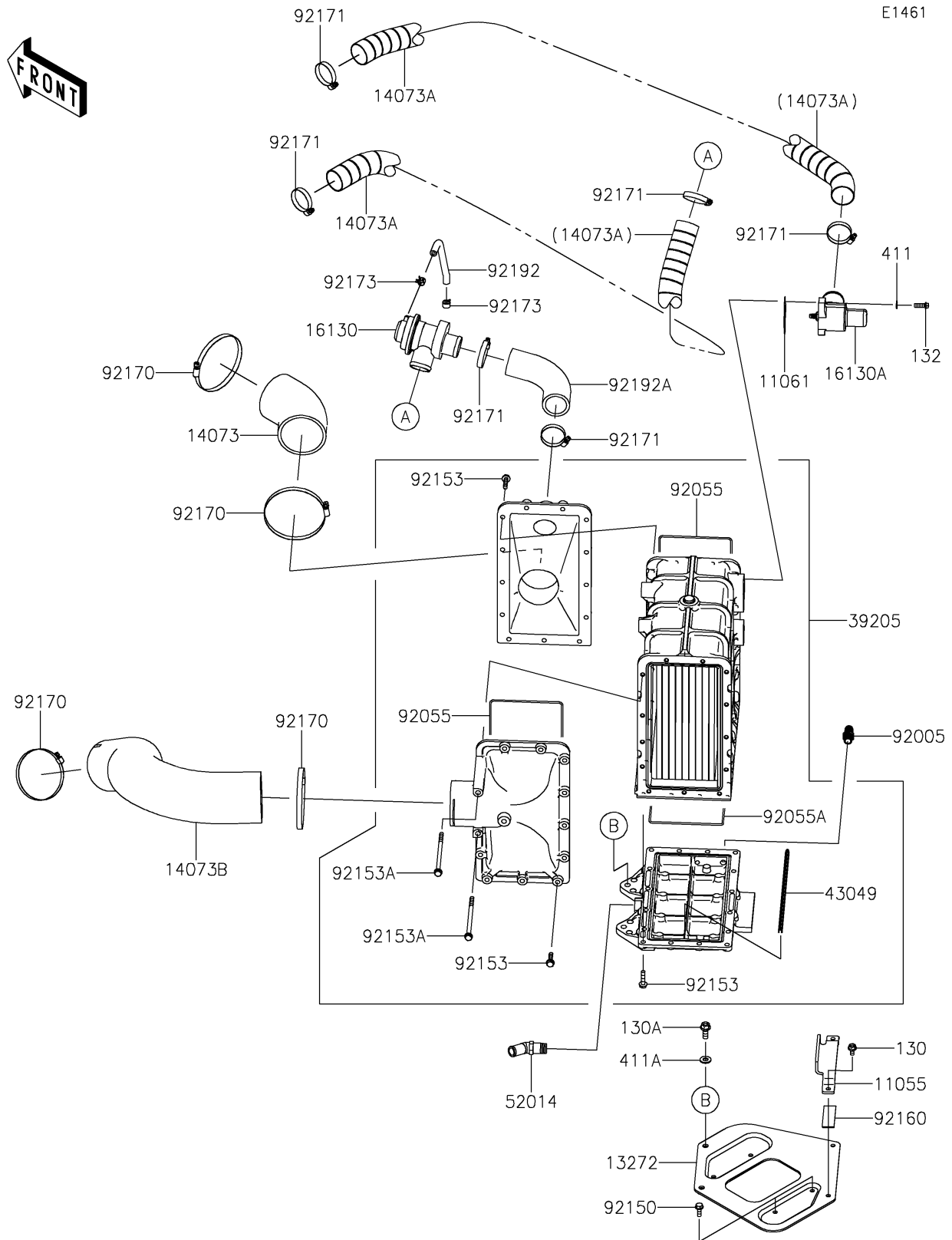


2025 Ultra310X

PARTS DIAGRAM

Inter Cooler



2025 Ultra310X

PARTS LIST

Inter Cooler

ITEM NAME	PART NUMBER	QUANTITY
BRACKET (Ref # 11055)	11055-3714	1
GASKET (Ref # 11061)	11061-3765	1
PLATE (Ref # 13272)	13272-3721	1
DUCT,I/C-TH. (Ref # 14073)	14073-3823	1
DUCT,BYPASS VALVE-A/C (Ref # 14073A)	14073-3834	2
DUCT,S/C-I/C (Ref # 14073B)	14073-3839	1
VALVE-ASSY-RELIEF,AIR BYPASS (Ref # 16130)	16130-3703	1
VALVE-ASSY-RELIEF,BLOW OFF (Ref # 16130A)	16130-3707	1
HEAT EXCHANGER,INTER COOLER (Ref # 39205)	39205-3702	1
PACKING (Ref # 43049)	43049-3719	1
ELBOW (Ref # 52014)	52014-3714	1
FITTING (Ref # 92005)	92005-3714	1
RING-O (Ref # 92055)	92055-3779	2
RING-O (Ref # 92055A)	92055-3780	1
BOLT,6X18 (Ref # 92150)	92150-3729	4
BOLT,FLANGED,6X25 (Ref # 92153)	92153-3750	40
BOLT,FLANGED,6X110 (Ref # 92153A)	92153-3751	2
DAMPER (Ref # 92160)	92160-1075	1
CLAMP (Ref # 92170)	92170-3764	4
CLAMP (Ref # 92171)	92171-3725	6
CLAMP (Ref # 92173)	92173-1038	2
TUBE,5.8X10.8X140 (Ref # 92192)	92192-1512	1
TUBE,I/C-ABV (Ref # 92192A)	92192-3784	1
BOLT-FLANGED,6X12 (Ref # 130)	130CD0612	2
BOLT-FLANGED,8X20 (Ref # 130A)	130CD0820	2
BOLT-FLANGED-SMALL,6X18 (Ref # 132)	132BC0618	2
WASHER-PLAIN,6MM (Ref # 411)	411S0600	2
WASHER-PLAIN,8MM (Ref # 411A)	411S0800	2