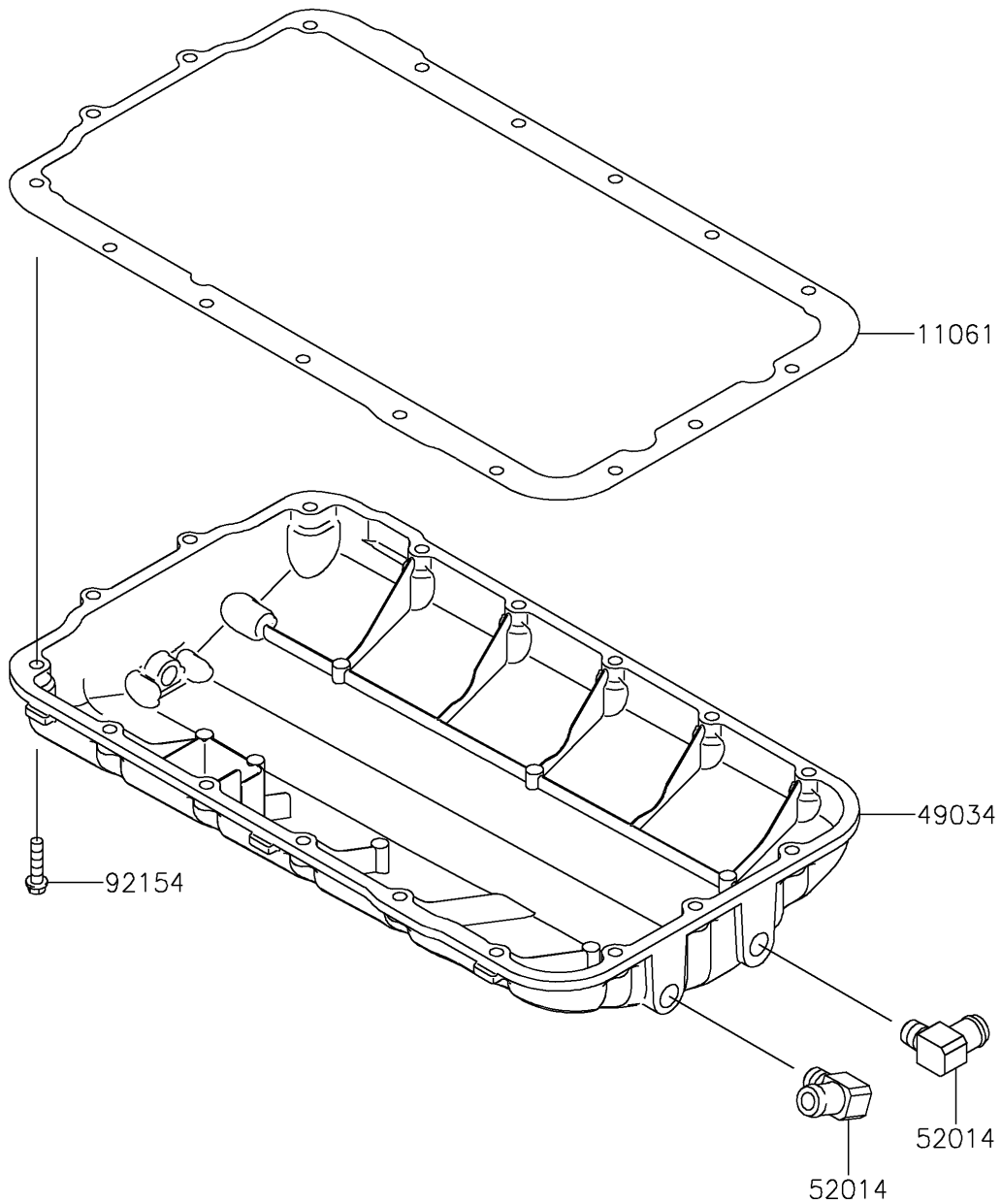


# 2024 JET SKI® ULTRA® 310X

## PARTS DIAGRAM

### Oil Pan

E1434



# 2024 JET SKI® ULTRA® 310X

## PARTS LIST

Oil Pan



ITEM NAME	PART NUMBER	QUANTITY
-----------	-------------	----------

---