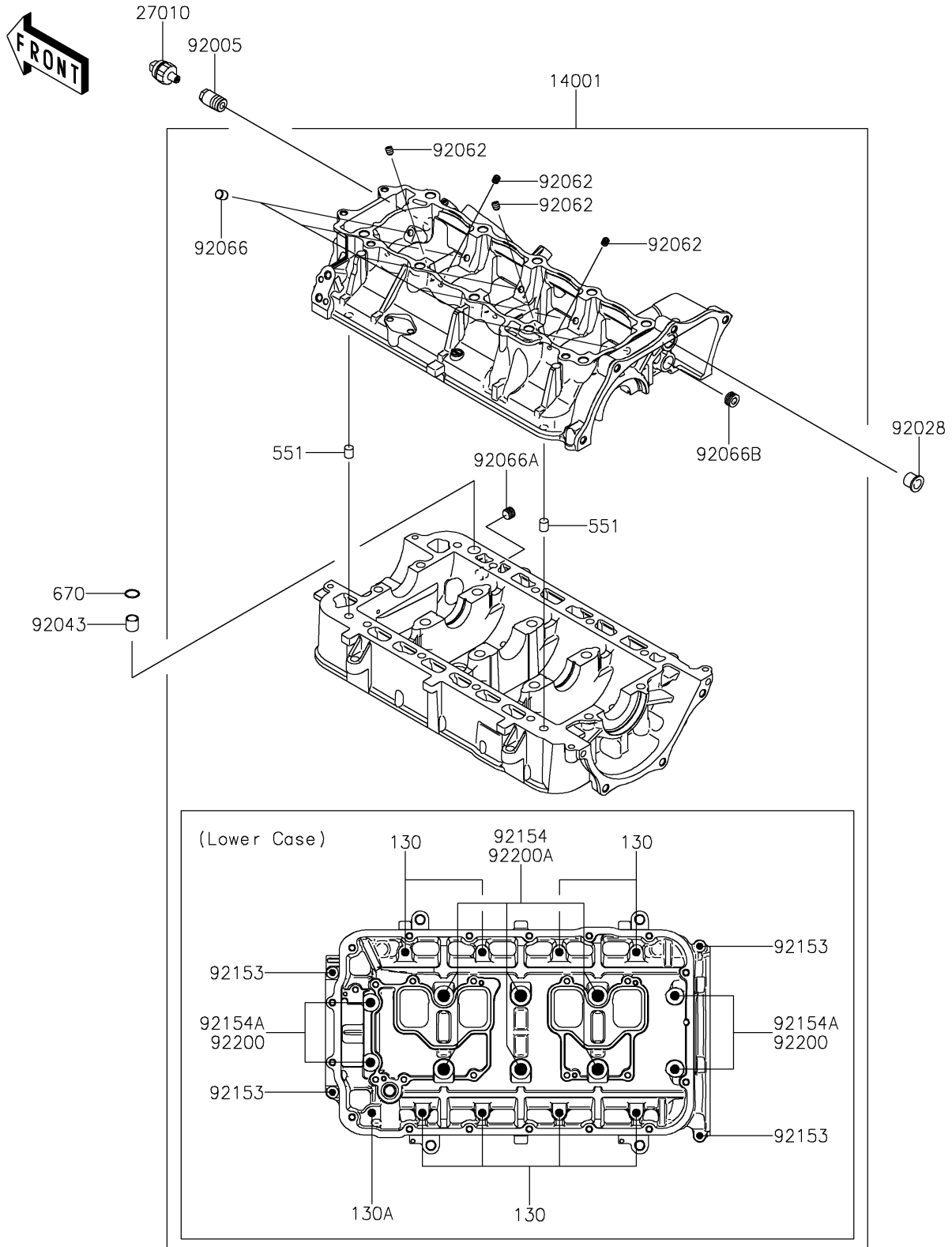


2025 Ultra310X

PARTS DIAGRAM

Crankcase

E1411



2025 Ultra310X

PARTS LIST

Crankcase



ITEM NAME	PART NUMBER	QUANTITY
-----------	-------------	----------
