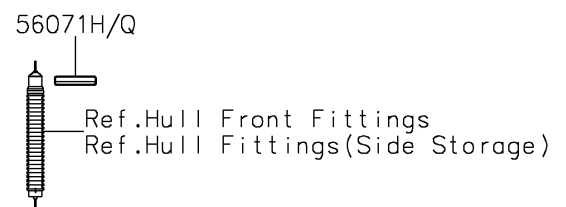
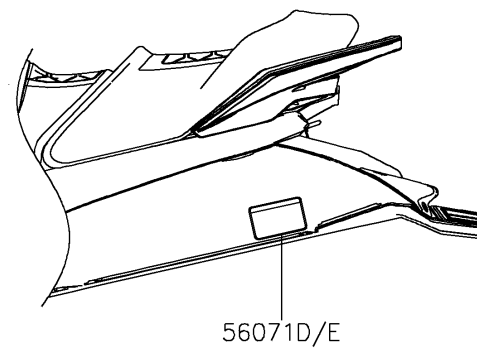
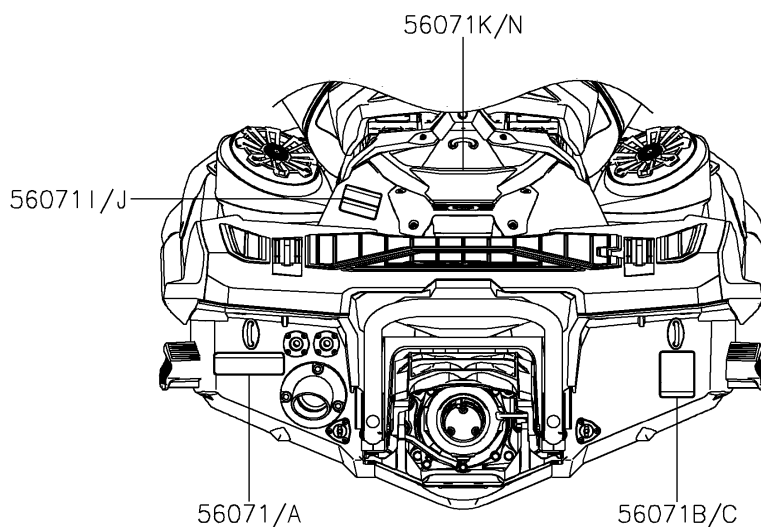
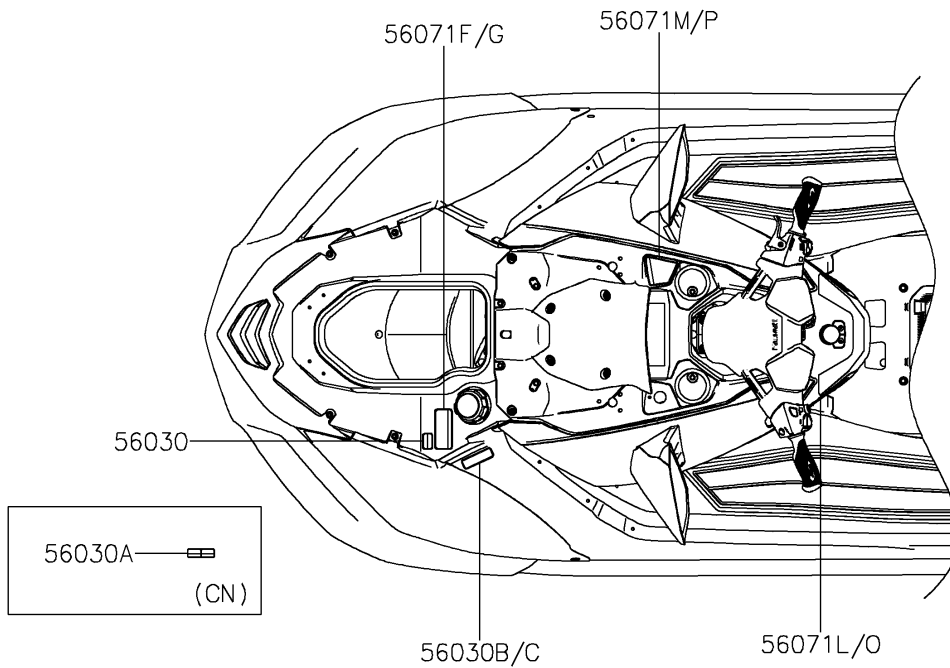


# 2024 JET SKI® ULTRA® 310LX

## PARTS DIAGRAM

### Labels

F3183



# 2024 JET SKI® ULTRA® 310LX

## PARTS LIST

Labels



ITEM NAME	PART NUMBER	QUANTITY
-----------	-------------	----------

---