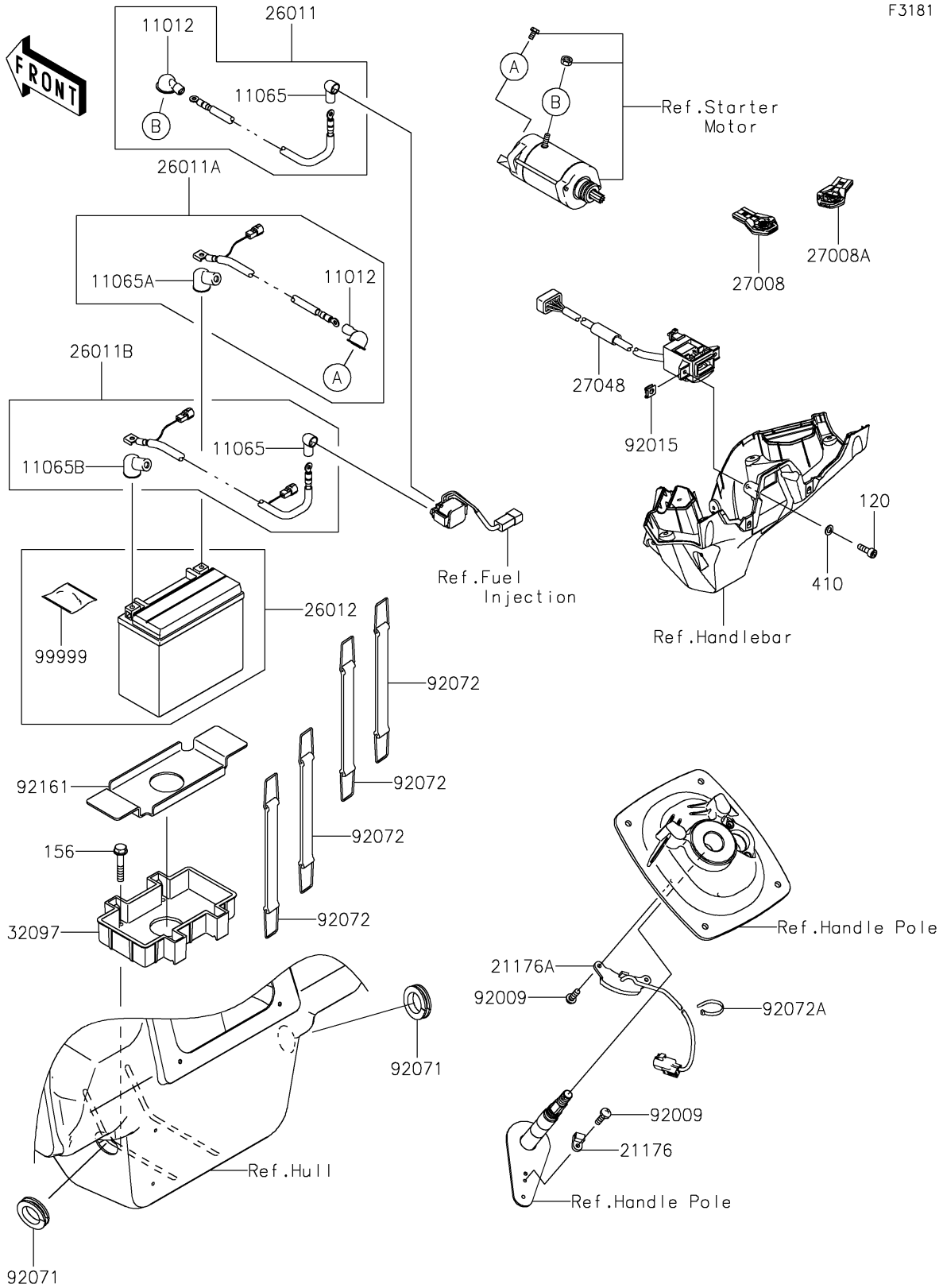


2024 JET SKI® ULTRA® 310LX

PARTS DIAGRAM Electrical Equipment



2024 JET SKI® ULTRA® 310LX

PARTS LIST

Electrical Equipment

ITEM NAME

PART NUMBER

QUANTITY
